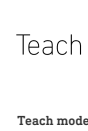
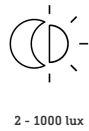


IS 345

V3 KNX - in-ceiling installation, sq. white
 EAN 4007841 079680
 Article number 079680



5 years

manufacturer's warranty steinel-professional.de/garantie

Function description

Huge reach. Infrared motion detector IS 345 for indoors and out, ideal for passageways, corridors and commonly used spaces, installation height 5 m, detection zone 12 x 6 m (radial) and 23 x 6 m (tangential). Available either in round or square surface-mounted, concealed or In-ceiling installation.

Technical specifications

Dimensions (L x W x H)	121 x 94 x 94 mm	Optimum mounting height	2,5 m
Manufacturer's Warranty	5 years	Detection angle	Aisle, 360 °
Settings via	ETS software, Remote control, Bus, Smart Remote	Angle of aperture	45 °
Version	KNX - in-ceiling installation, sq. white	Sneak-by guard	Yes
PU1, EAN	4007841079680	Capability of masking out individual segments	Yes
Type	Motion detectors	Electronic scalability	No
Application, place	Indoors	Mechanical scalability	No
Application, room	corridor / aisle, multi-storey / underground car park, Indoors	Reach, radial	12 x 6 m (72 m ²)
Colour	white	Reach, tangential	23 x 6 m (138 m ²)
Colour, RAL	9003	Time setting	0 s – 1092 Min.
Includes corner wall mount	No	Basic light level function	Yes
Installation site	ceiling	Main light adjustable	0 - 100 %
Installation	In-ceiling installation, Ceiling	Twilight setting TEACH	Yes
IP-rating	IP20	Constant-lighting control	Yes
Ambient temperature	-20 – 50 °C	KNX functions	Photo-cell controller, Basic light level function, Light level, HVAC output, Constant-lighting control,
Material	Plastic		

IS 345

V3 KNX - in-ceiling installation, sq. white
EAN 4007841 079680
Article number 079680



Technical specifications

With bus coupling	Yes		Light output 2x, Presence output, Day / night function, Logic gate
Sensor Technology	Passive infrared	Interconnection	Yes
Mounting height	2,50 – 5,00 m	Type of interconnection	Master/slave
Mounting height max.	5,00 m	Interconnection via	KNX bus
		Rated current	12,5 mA

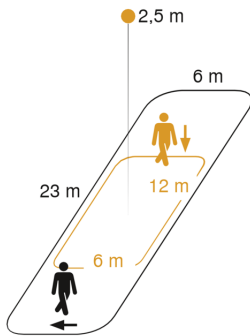
Accessories

EAN 4007841 009151	Remote control Smart Remote
EAN 4007841 593018	Service remote control RC6 KNX
EAN 4007841 592912	User remote control RC7 KNX
EAN 4007841 056728	Black cover for IR-sensors

IS 345

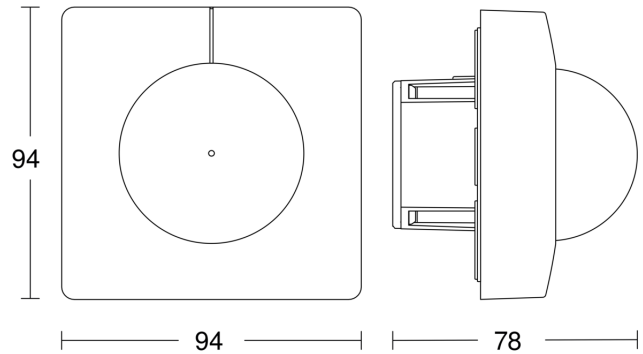
V3 KNX - in-ceiling installation, sq. white
EAN 4007841 079680
Article number 079680

Detection Zone

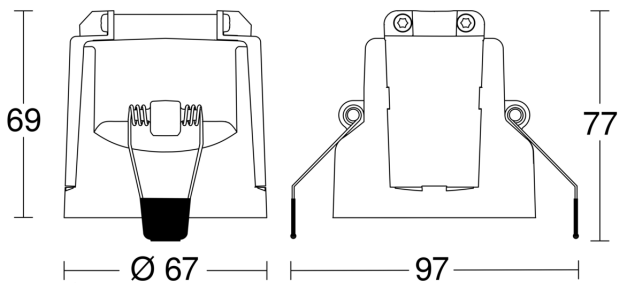


Mögliche Montagehöhe: 2,50 m – 5,00 m
Orange: radial
Schwarz: tangential

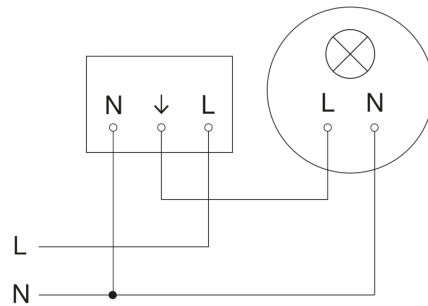
Dimension Drawing 1



Dimension Drawing 2



Master circuit diagram



IS 345

V3 KNX - in-ceiling installation, sq. white
EAN 4007841 079680
Article number 079680

Master/slave interconnection circuit diagram

