

# IS 345

V3 KNX - in-ceiling installation, rd. white  
 EAN 4007841 079703  
 Article number 079703



infrared sensor  
360°



max. 20 x 4 m



KNX



IP54



2 - 1000 lux



1 - 255 min



ideal 2,5 - 5 m

Teach

Teach mode



energy saving

5 years

manufacturer's warranty steinel-professional.de/garantie

## Function description

Huge reach. Infrared motion detector IS 345 for indoors and out, ideal for passageways, corridors and commonly used spaces, installation height 5 m, detection zone 12 x 6 m (radial) and 23 x 6 m (tangential). Available either in round or square surface-mounted and concealed version.

## Technical specifications

Dimensions (Ø x H)	124 x 121 mm	Optimum mounting height	2,5 m
Manufacturer's Warranty	5 years	Detection angle	Aisle, 360 °
Settings via	ETS software, Remote control, Bus, Smart Remote	Angle of aperture	45 °
Version	KNX - in-ceiling installation, rd. white	Sneak-by guard	Yes
PU1, EAN	4007841079703	Capability of masking out individual segments	Yes
Type	Motion detectors	Electronic scalability	No
Application, place	Indoors	Mechanical scalability	No
Application, room	corridor / aisle, multi-storey / underground car park, Indoors	Reach, radial	12 x 6 m (72 m <sup>2</sup> )
Colour	white	Reach, tangential	23 x 6 m (138 m <sup>2</sup> )
Colour, RAL	9003	Time setting	0 s – 1092 Min.
Includes corner wall mount	No	Basic light level function	Yes
Installation site	ceiling	Main light adjustable	0 - 100 %
Installation	Concealed wiring, Ceiling, In-ceiling installation	Twilight setting TEACH	Yes
IP-rating	IP20	Constant-lighting control	Yes
Ambient temperature	-20 – 50 °C	KNX functions	Photo-cell controller, Basic light level function, Light level, HVAC output, Constant-lighting control,

# IS 345

V3 KNX - in-ceiling installation, rd. white  
EAN 4007841 079703  
Article number 079703



## Technical specifications

Material	Plastic	Light output 2x, Presence output, Day / night function, Logic gate	
With bus coupling	Yes	Interconnection	Yes
Sensor Technology	Passive infrared	Type of interconnection	Master/slave
Mounting height	2,50 – 5,00 m	Interconnection via	KNX bus
Mounting height max.	5,00 m	Rated current	12,5 mA

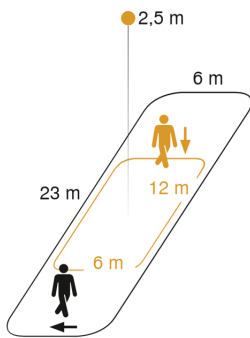
## Accessories

EAN 4007841 009151	Remote control Smart Remote
EAN 4007841 593018	Service remote control RC6 KNX
EAN 4007841 592912	User remote control RC7 KNX
EAN 4007841 056742	Black cover for IR-sensors

# IS 345

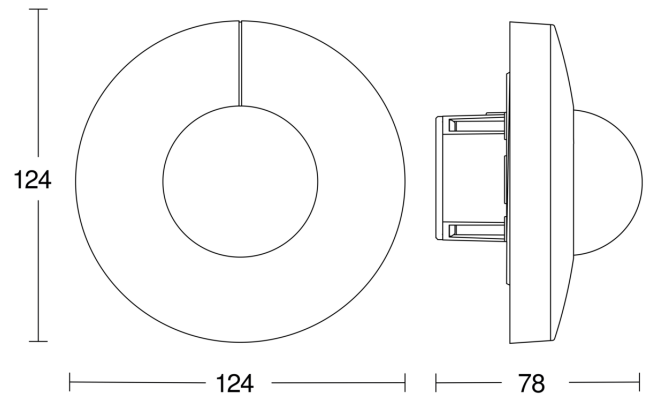
V3 KNX - in-ceiling installation, rd. white  
EAN 4007841 079703  
Article number 079703

## Detection Zone

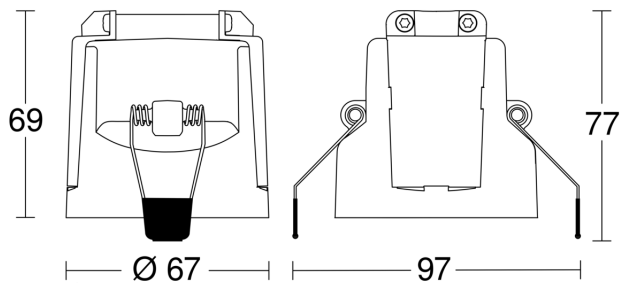


Mögliche Montagehöhe: 2.50 m – 5.00 m  
Orange: radial  
Schwarz: tangential

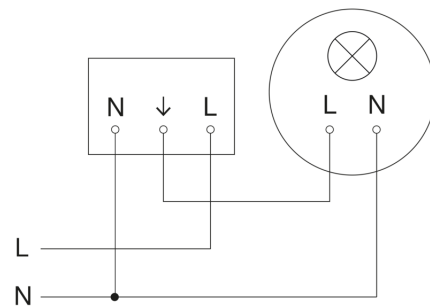
## Dimension Drawing 1



## Dimension Drawing 2



## Master circuit diagram



# IS 345

V3 KNX - in-ceiling installation, rd. white  
EAN 4007841 079703  
Article number 079703

## Master/slave interconnection circuit diagram

