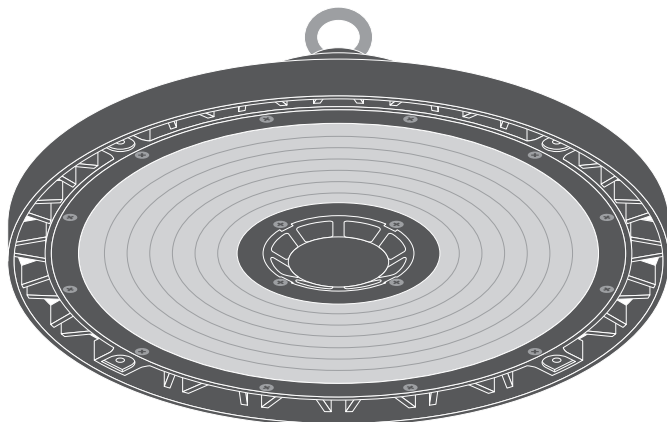


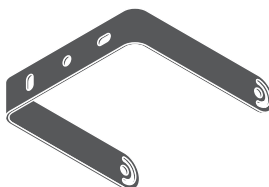
# HIGHBAY GEN5

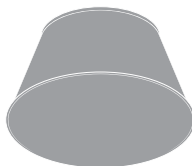
|                              | EAN           | Ø x h [mm] | W         | V <sub>AC</sub> | Hz    | lm            | lm/W | K    |
|------------------------------|---------------|------------|-----------|-----------------|-------|---------------|------|------|
| HB P 75W 840 70DEG IP66 PS   | 4058075844285 | 280 x 161  | 75 / 53   | 220-240         | 50/60 | 13200 / 9328  | 176  | 4000 |
| HB P 75W 840 110DEG IP66 PS  | 4058075844292 | 280 x 161  | 75 / 53   | 220-240         | 50/60 | 13500 / 9540  | 180  | 4000 |
| HB P 150W 840 70DEG IP66 PS  | 4058075844308 | 321 x 160  | 150 / 125 | 220-240         | 50/60 | 26250 / 21875 | 175  | 4000 |
| HB P 150W 840 110DEG IP66 PS | 4058075844315 | 321 x 160  | 150 / 125 | 220-240         | 50/60 | 26700 / 22250 | 178  | 4000 |
| HB P 200W 840 70DEG IP66 PS  | 4058075844322 | 321 x 162  | 200 / 173 | 220-240         | 50/60 | 35000 / 30275 | 175  | 4000 |
| HB P 200W 840 110DEG IP66 PS | 4058075844339 | 321 x 162  | 200 / 173 | 220-240         | 50/60 | 36200 / 31313 | 181  | 4000 |
| HB P 75W 865 70DEG IP66 PS   | 4058075844346 | 280 x 161  | 75 / 53   | 220-240         | 50/60 | 13125 / 9275  | 175  | 6500 |
| HB P 75W 865 110DEG IP66 PS  | 4058075844353 | 280 x 161  | 75 / 53   | 220-240         | 50/60 | 13350 / 9434  | 178  | 6500 |
| HB P 150W 865 70DEG IP66 PS  | 4058075844360 | 321 x 160  | 150 / 125 | 220-240         | 50/60 | 26250 / 21875 | 175  | 6500 |
| HB P 150W 865 110DEG IP66 PS | 4058075844377 | 321 x 160  | 150 / 125 | 220-240         | 50/60 | 26250 / 21875 | 175  | 6500 |
| HB P 200W 865 70DEG IP66 PS  | 4058075844384 | 321 x 162  | 200 / 173 | 220-240         | 50/60 | 35000 / 30275 | 175  | 6500 |
| HB P 200W 865 110DEG IP66 PS | 4058075844391 | 321 x 162  | 200 / 173 | 220-240         | 50/60 | 35000 / 30275 | 175  | 6500 |


|                              | EAN           | IP | IK | ∇   | R <sub>a</sub> | ⊖ (°C)    | PF     | 👤      |
|------------------------------|---------------|----|----|-----|----------------|-----------|--------|--------|
| HB P 75W 840 70DEG IP66 PS   | 4058075844285 | 66 | 10 | 70  | >80            | -30...+50 | > 0.95 | 2.6 kg |
| HB P 75W 840 110DEG IP66 PS  | 4058075844292 | 66 | 10 | 110 | >80            | -30...+50 | > 0.95 | 2.6 kg |
| HB P 150W 840 70DEG IP66 PS  | 4058075844308 | 66 | 10 | 70  | >80            | -30...+50 | > 0.95 | 2.9 kg |
| HB P 150W 840 110DEG IP66 PS | 4058075844315 | 66 | 10 | 110 | >80            | -30...+50 | > 0.95 | 2.9 kg |
| HB P 200W 840 70DEG IP66 PS  | 4058075844322 | 66 | 10 | 70  | >80            | -30...+50 | > 0.95 | 3.3 kg |
| HB P 200W 840 110DEG IP66 PS | 4058075844339 | 66 | 10 | 110 | >80            | -30...+50 | > 0.95 | 3.3 kg |
| HB P 75W 865 70DEG IP66 PS   | 4058075844346 | 66 | 10 | 70  | >80            | -30...+50 | > 0.95 | 2.6 kg |
| HB P 75W 865 110DEG IP66 PS  | 4058075844353 | 66 | 10 | 110 | >80            | -30...+50 | > 0.95 | 2.6 kg |
| HB P 150W 865 70DEG IP66 PS  | 4058075844360 | 66 | 10 | 70  | >80            | -30...+50 | > 0.95 | 2.9 kg |
| HB P 150W 865 110DEG IP66 PS | 4058075844377 | 66 | 10 | 110 | >80            | -30...+50 | > 0.95 | 2.9 kg |
| HB P 200W 865 70DEG IP66 PS  | 4058075844384 | 66 | 10 | 70  | >80            | -30...+50 | > 0.95 | 3.3 kg |
| HB P 200W 865 110DEG IP66 PS | 4058075844391 | 66 | 10 | 110 | >80            | -30...+50 | > 0.95 | 3.3 kg |

# HIGHBAY GEN5




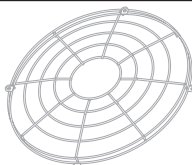
|                       | EAN           | l x w x h [mm] |  |
|-----------------------|---------------|----------------|---|
| <b>HB BRACKET 138</b> | 4058075844643 | 138 x 35 x 203 | 0.35 kg   |




|                             | EAN           | Ø x h [mm] |  |
|-----------------------------|---------------|------------|---|
| <b>HB ALU REFLECTOR 415</b> | 4058075844568 | 415 x 205  | 0.3 kg  |
| <b>HB ALU REFLECTOR 500</b> | 4058075844582 | 500 x 235  | 0.5 kg  |

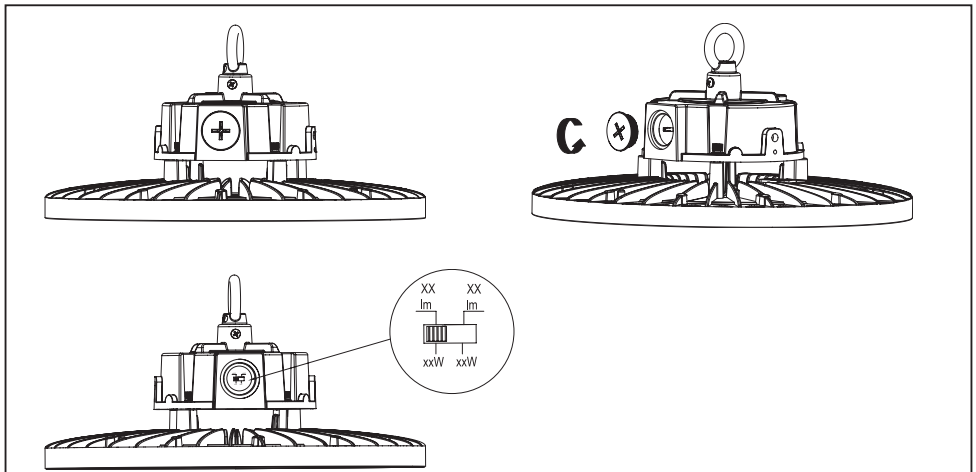
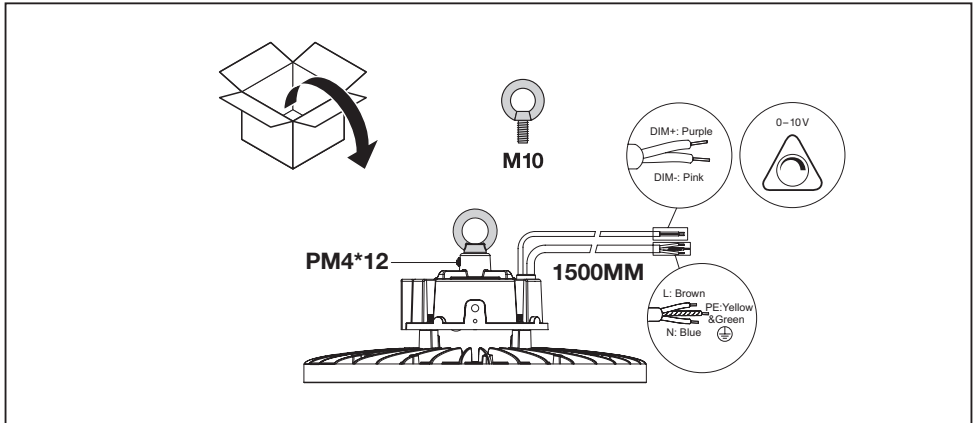


|                            | EAN           | Ø x h [mm] |  |
|----------------------------|---------------|------------|---|
| <b>HB PC REFRACTOR 415</b> | 4058075844605 | 413 x 205  | 0.7 kg  |
| <b>HB PC REFRACTOR 500</b> | 4058075844629 | 480 x 250  | 1.0 kg  |

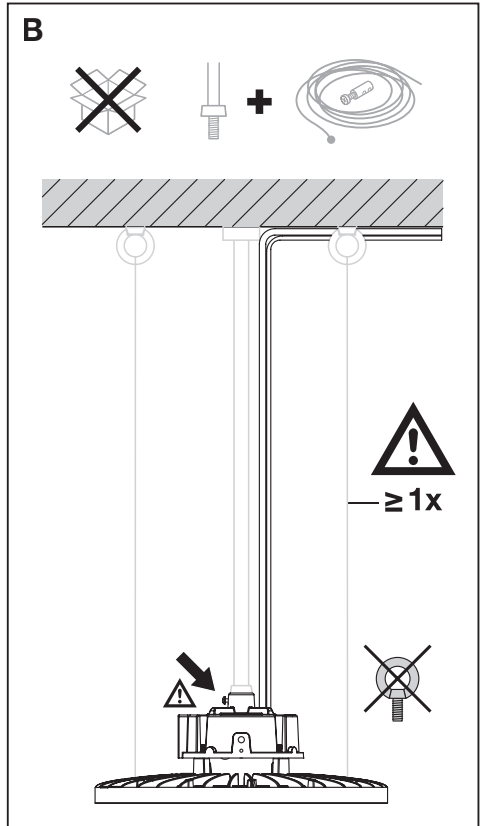
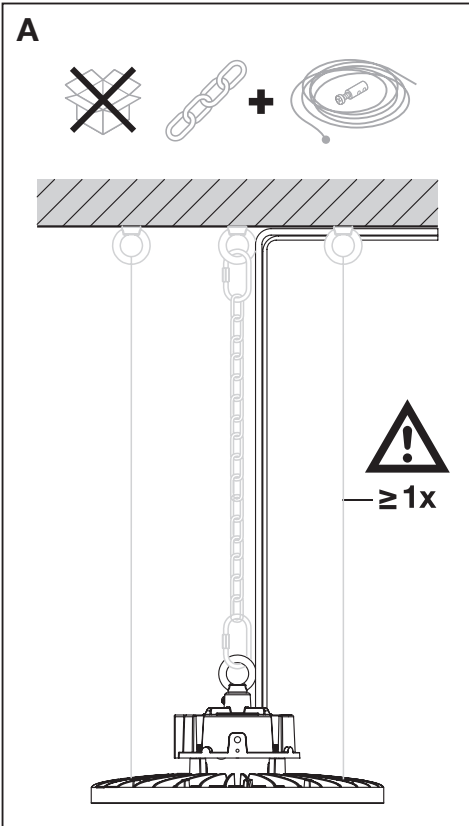
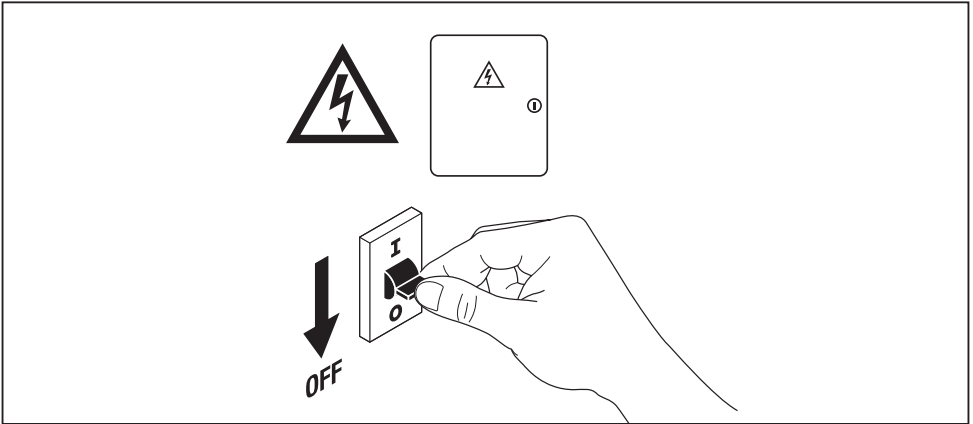
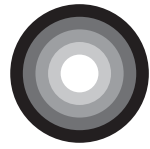


|                                | EAN           | Ø x h [mm] |  |
|--------------------------------|---------------|------------|---|
| <b>HB BALL PROOF COVER 270</b> | 4058075844520 | 270 x 26.5 | 0.14 kg   |
| <b>HB BALL PROOF COVER 310</b> | 4058075844544 | 310 x 27.5 | 0.19 kg   |

# HIGHBAY GEN5







|                              | W         | lm            | lm/W | Input current (mA) |
|------------------------------|-----------|---------------|------|--------------------|
| HB P 75W 840 70DEG IP66 PS   | 75 / 53   | 13200 / 9328  | 176  | 335 / 240          |
| HB P 75W 840 110DEG IP66 PS  | 75 / 53   | 13500 / 9540  | 180  |                    |
| HB P 150W 840 70DEG IP66 PS  | 150 / 125 | 26250 / 21875 | 175  | 665 / 555          |
| HB P 150W 840 110DEG IP66 PS | 150 / 125 | 26700 / 22250 | 178  |                    |
| HB P 200W 840 70DEG IP66 PS  | 200 / 173 | 35000 / 30275 | 175  | 880 / 770          |
| HB P 200W 840 110DEG IP66 PS | 200 / 173 | 36200 / 31313 | 181  |                    |
| HB P 75W 865 70DEG IP66 PS   | 75 / 53   | 13125 / 9275  | 175  | 335 / 240          |
| HB P 75W 865 110DEG IP66 PS  | 75 / 53   | 13350 / 9434  | 178  |                    |
| HB P 150W 865 70DEG IP66 PS  | 150 / 125 | 26250 / 21875 | 175  | 665 / 555          |
| HB P 150W 865 110DEG IP66 PS | 150 / 125 | 26250 / 21875 | 175  |                    |
| HB P 200W 865 70DEG IP66 PS  | 200 / 173 | 35000 / 30275 | 175  | 880 / 770          |
| HB P 200W 865 110DEG IP66 PS | 200 / 173 | 35000 / 30275 | 175  |                    |

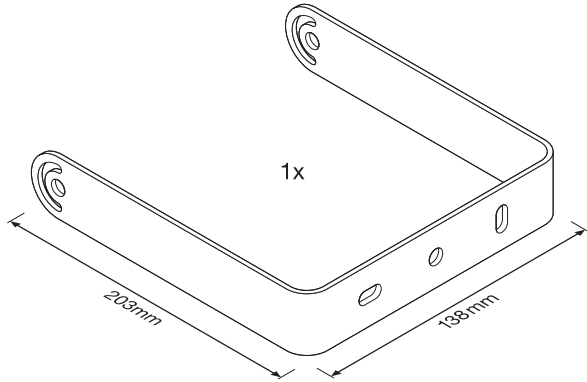


# HIGHBAY GEN5

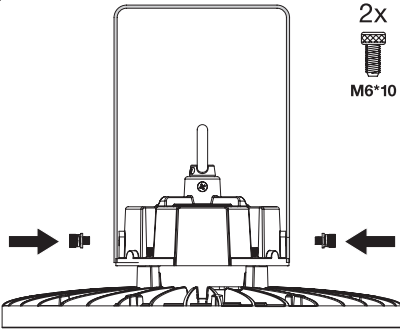





**HB Bracket 138**  
**EAN 4058075844643**

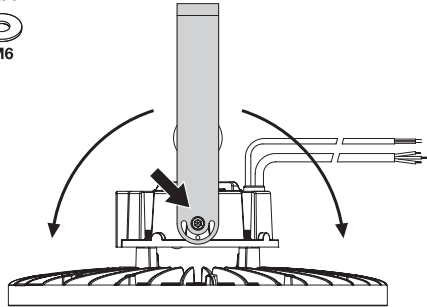
2x 2x 2x 2x  
     
**M6\*10 M6 M6 M4\*8**



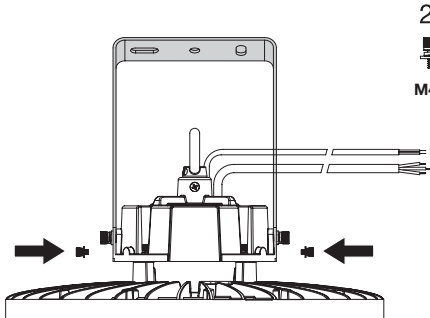
**1**



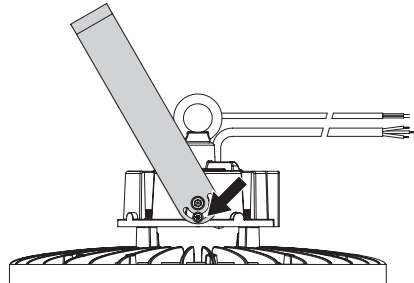
2x 2x 2x  
    
**M6\*10 M6 M6**



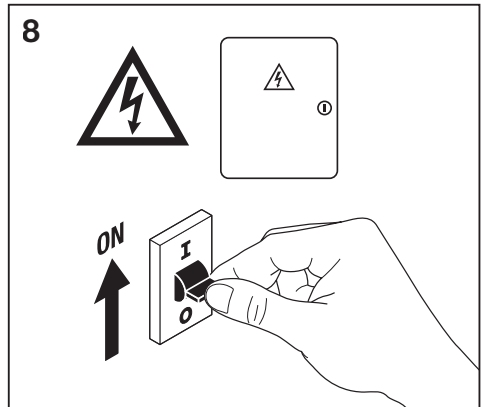
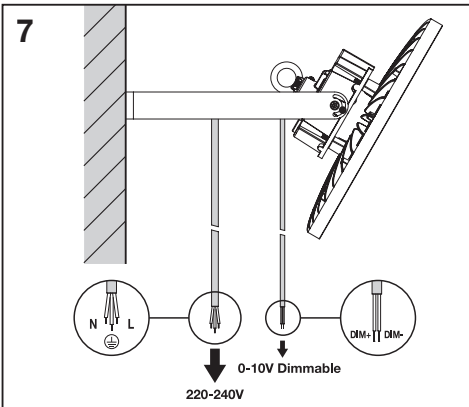
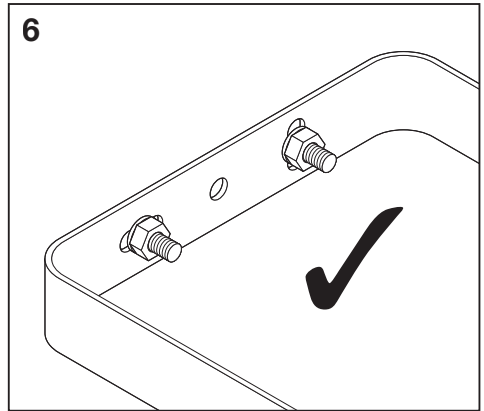
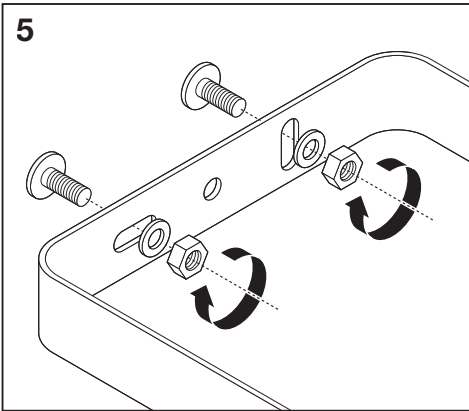
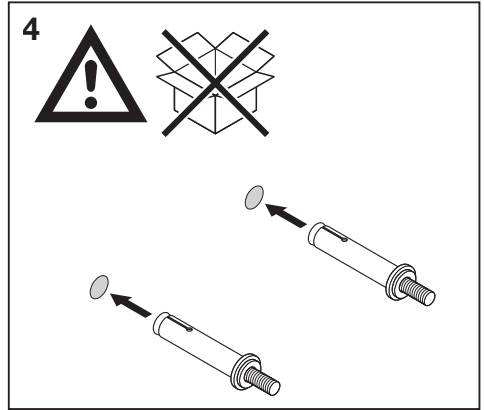
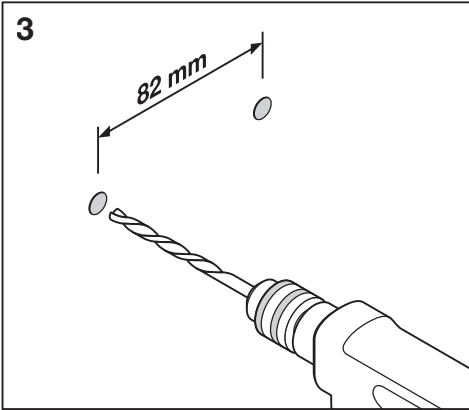
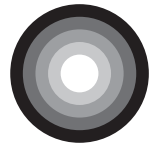
**2**



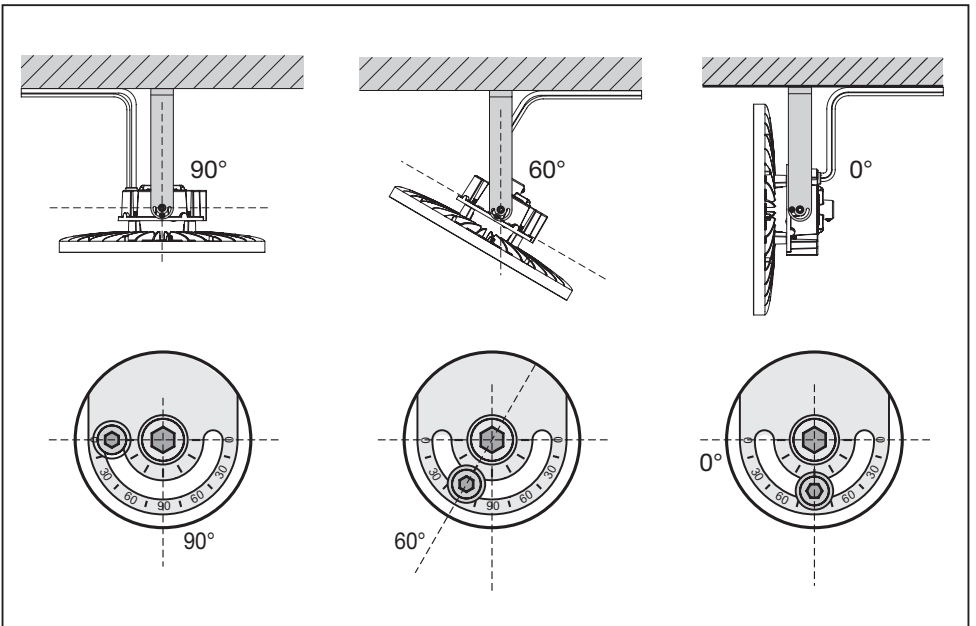
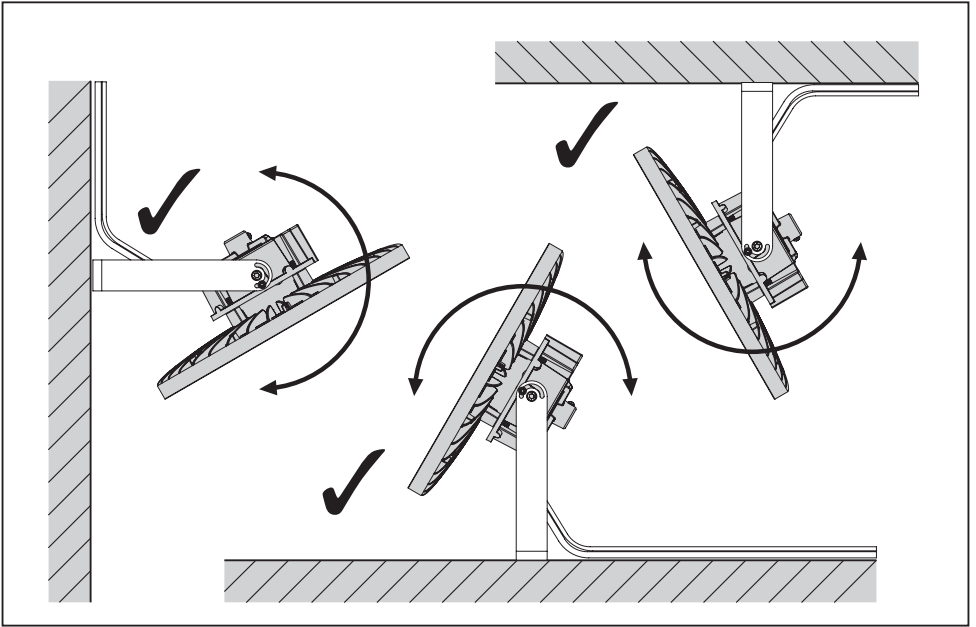
2x  
  
**M4\*8**



# HIGHBAY GEN5

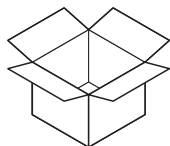


# HIGHBAY GEN5



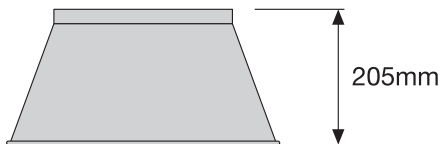
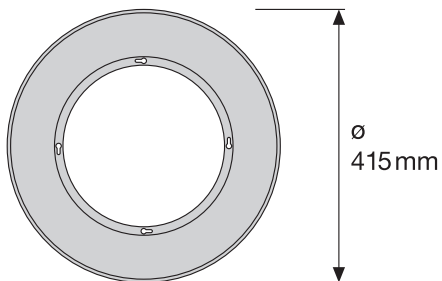
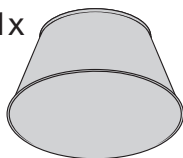


## HB ALU REFLECTOR 415 EAN 4058075844568

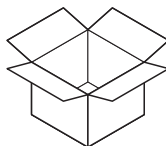


4x   
M4\*6

1x

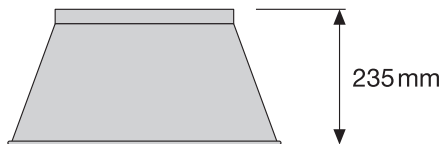
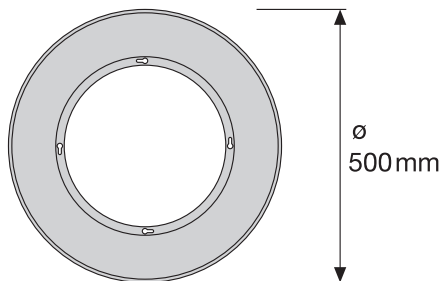
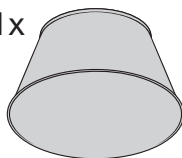


## HB ALU REFLECTOR 500 EAN 4058075844582



4x   
M4\*6

1x

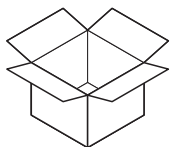




# HIGHBAY GEN5

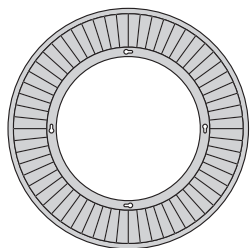
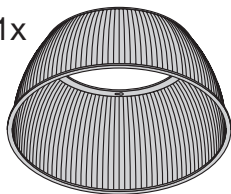



**HB PC REFRACTOR 415**  
**EAN 4058075844605**

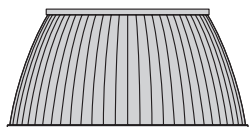


4x   
**M4\*10**

1x

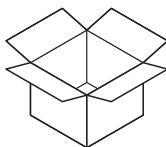


  $\varnothing$  413 mm



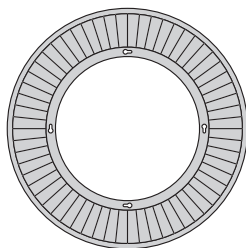
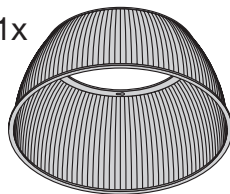
 205 mm


**HB PC REFRACTOR 500**  
**EAN 4058075844629**

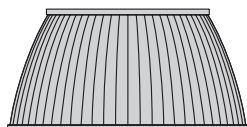



4x   
**M4\*10**

1x



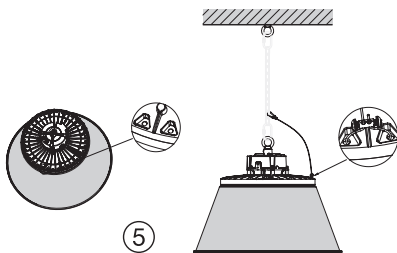
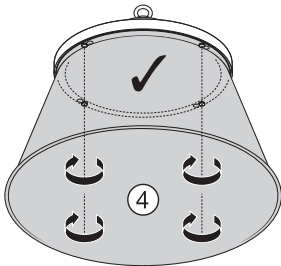
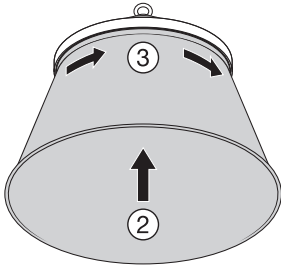
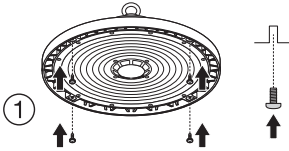
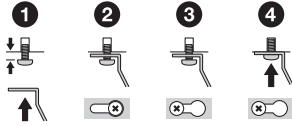
  $\varnothing$  480 mm



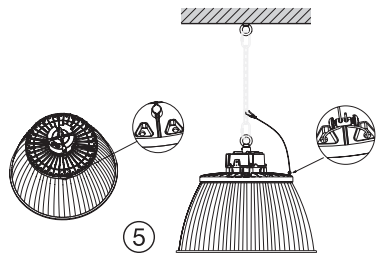
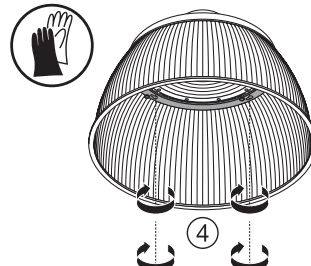
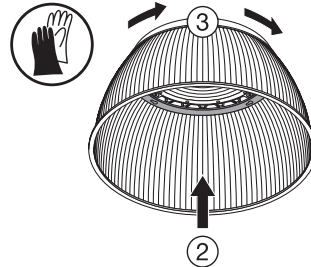
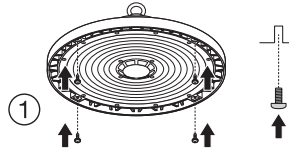
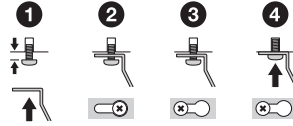
 250 mm



## HB ALU REFLECTOR 75W-200W

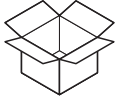



## HB PC REFRACTOR 75W-200W



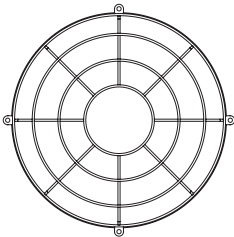
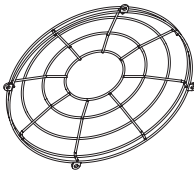


**HB BALL PROOF COVER 270**  
EAN 4058075844520

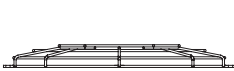


4x   
M4\*10

1x

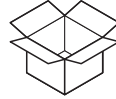



∅ 270 mm



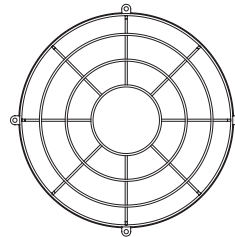
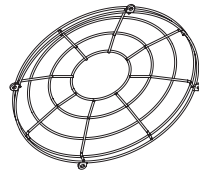
26.5 mm

**HB BALL PROOF COVER 310**  
EAN 4058075844544



4x   
M4\*10

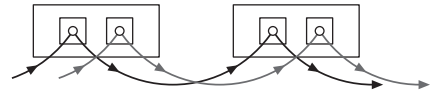
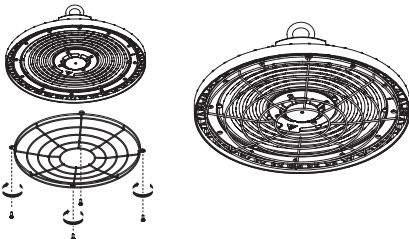
1x

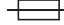
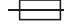
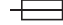


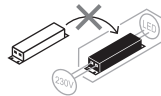
∅ 310 mm



27.5 mm



| n                | B16A<br> | C10A<br> | C16A<br> |
|------------------|---|---|--|
| <b>HB P 75W</b>  | 15  | 12  | 19   |
| <b>HB P 150W</b> | 13  | 10  | 16   |
| <b>HB P 200W</b> | 9   | 8   | 12   |



LEDVANCE GmbH  
Steinerne Furt 62  
86167 Augsburg, Germany  
[www.ledvance.com](http://www.ledvance.com)

C10449059  
G11193149  
10.07.24

© LEDVANCE Ltd, Sterling House,  
810 Mandarin Court, Warrington,  
Cheshire, WA1 1GG, United Kingdom