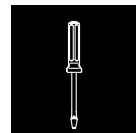


**Installationsanleitung UP FiberDose 60x60 für FTTH**  
**Instructions de montage UP FiberDose 60x60 pour FTTH**  
**Guida all'installazione UP FiberDose 60x60 per FTTH**



021.6431 - 021.6437

**A - Varianten / Variantes / Varianti**

**A1**

Grösse I  
Taille I  
Dimensione I



021.6439

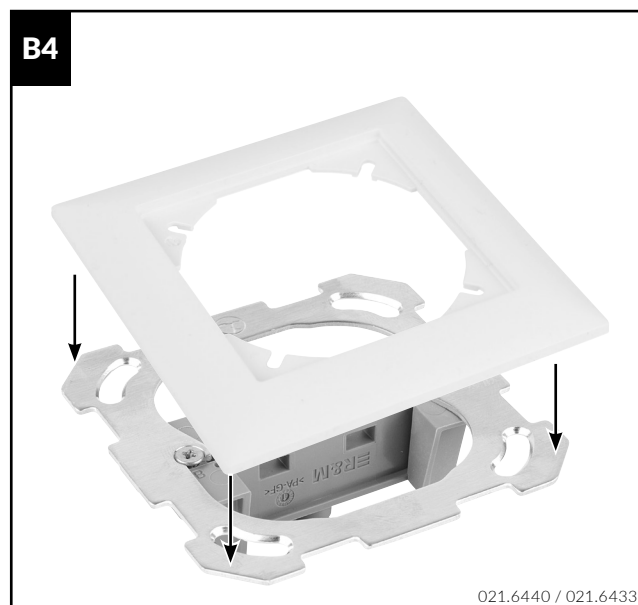
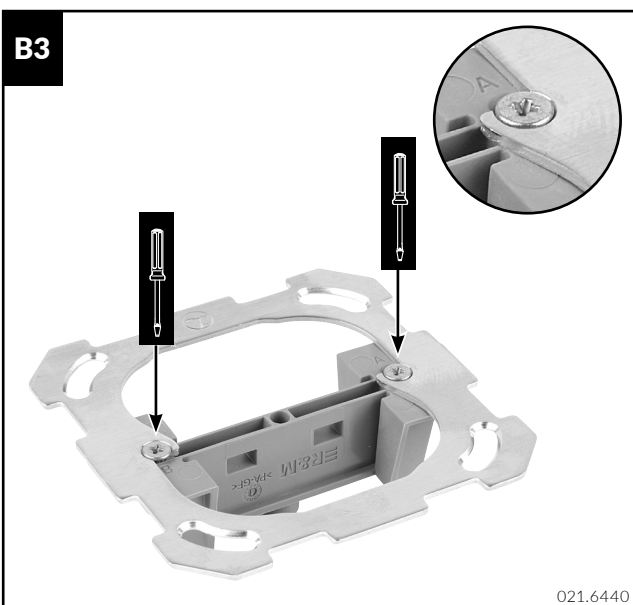
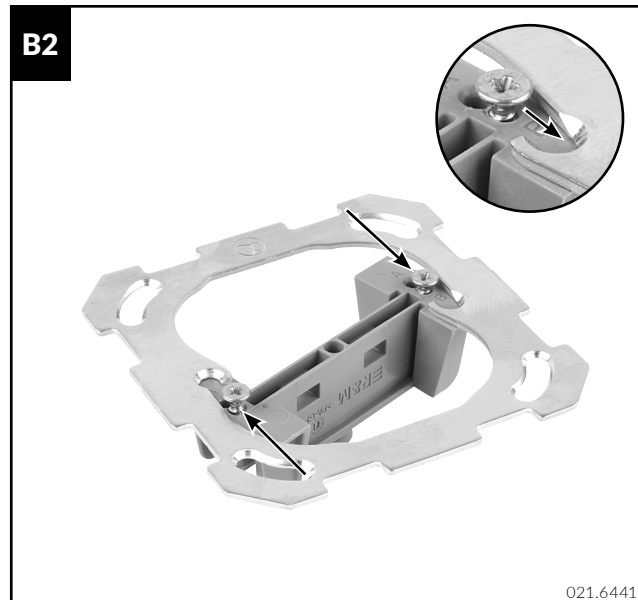
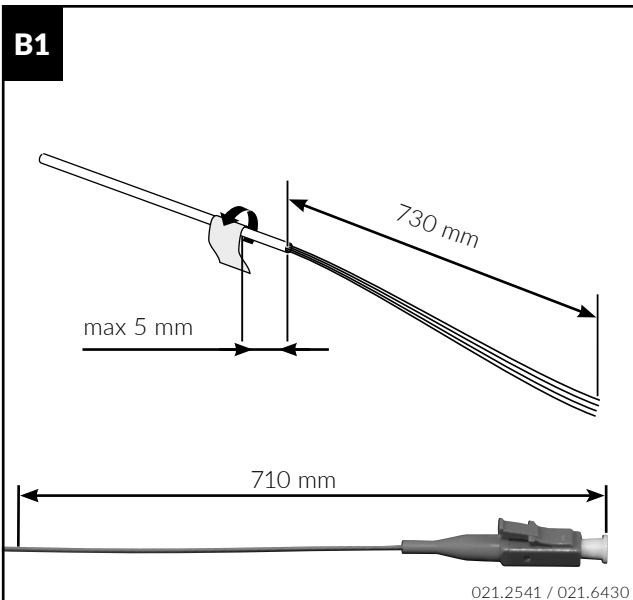
**A2**

Grösse II  
Taille II  
Dimensione II

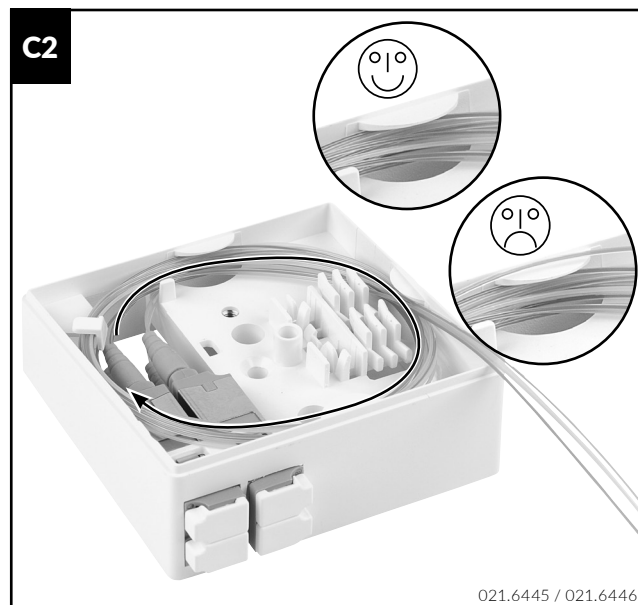
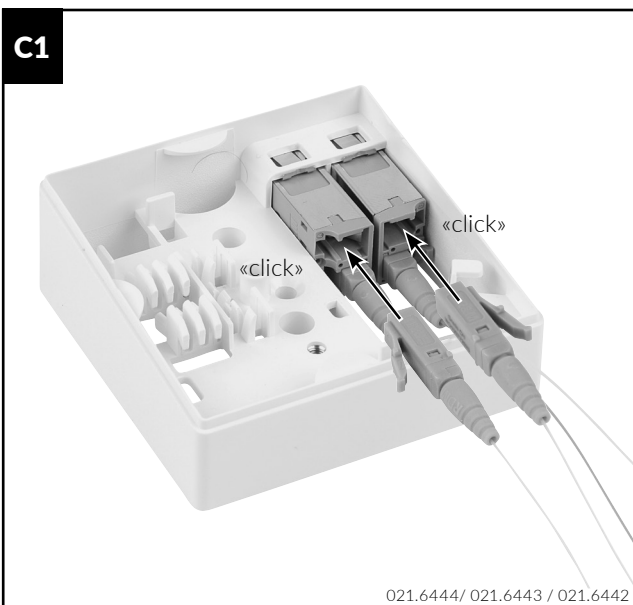


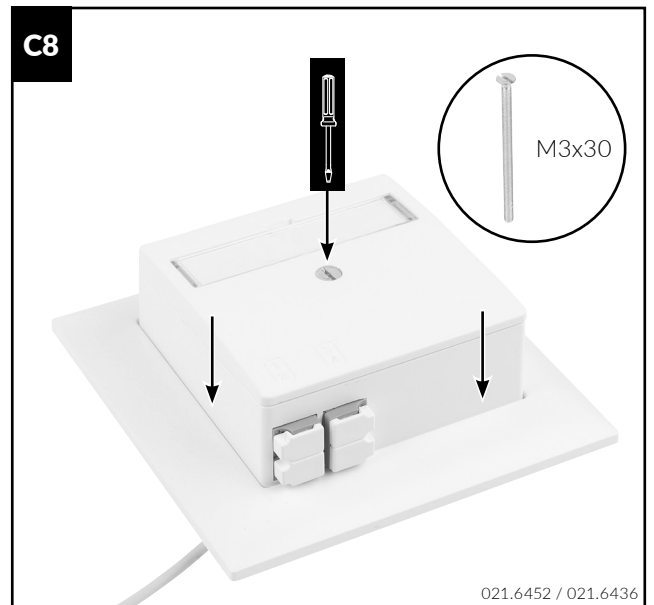
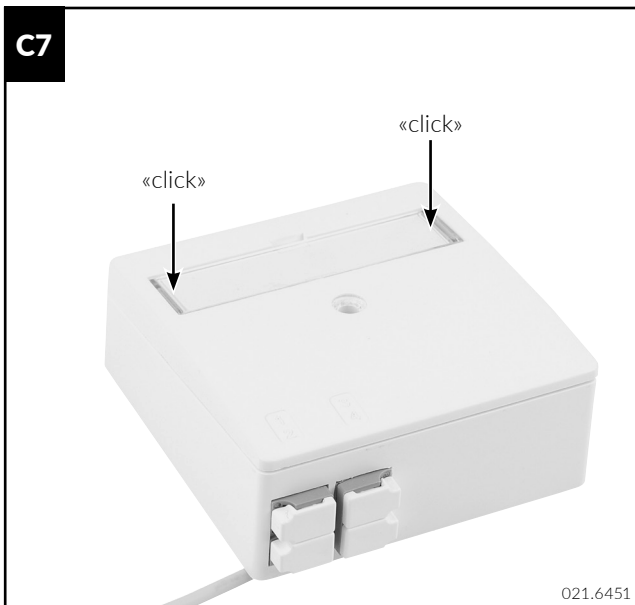
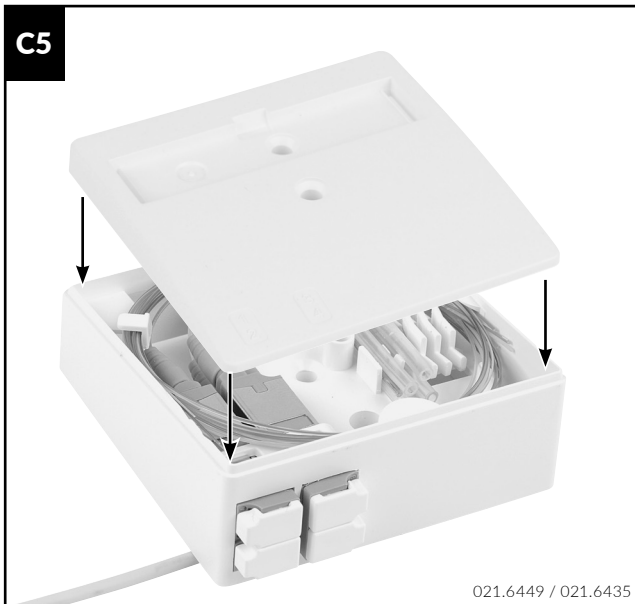
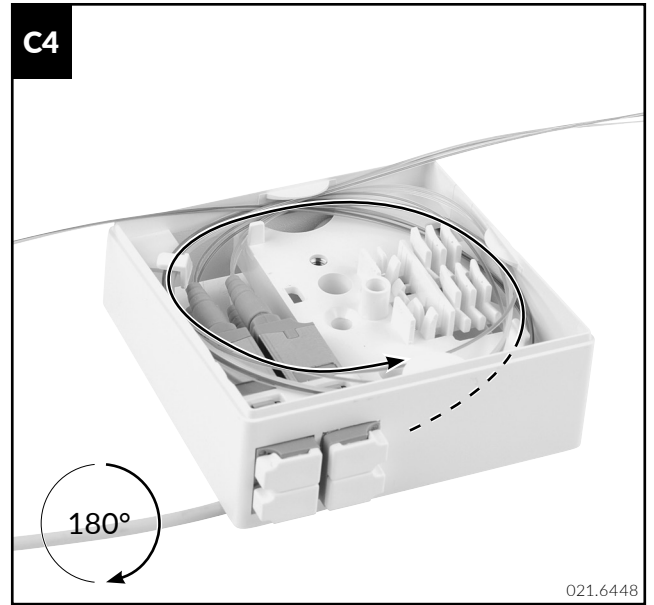
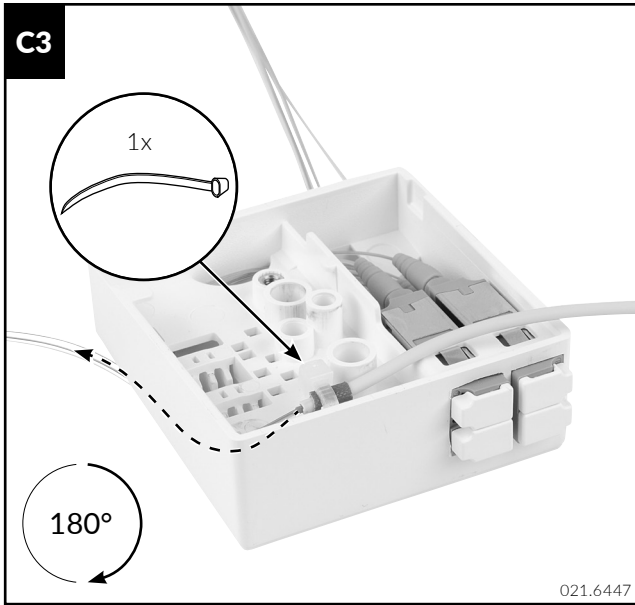
021.6438

## B - Vorbereitung / Préparation / Preparazione

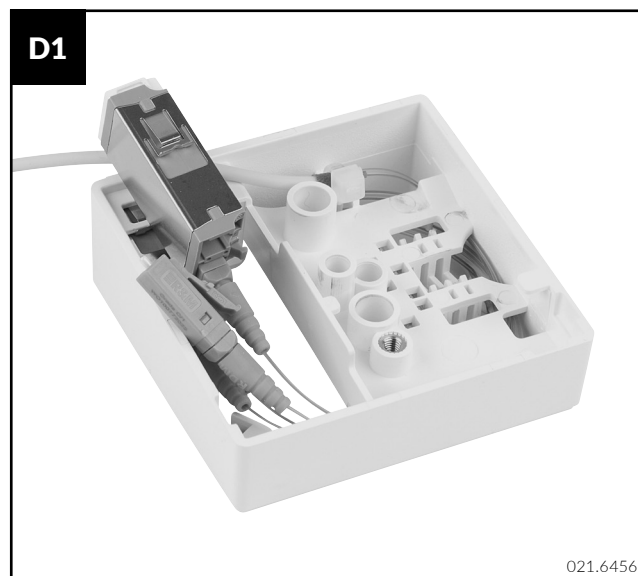
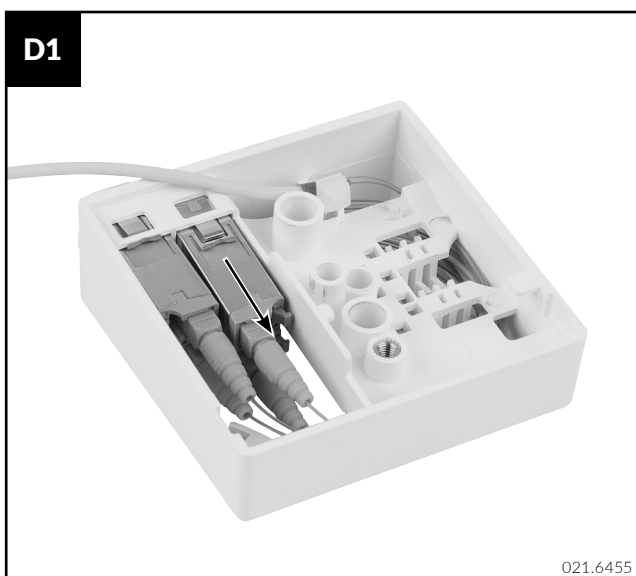
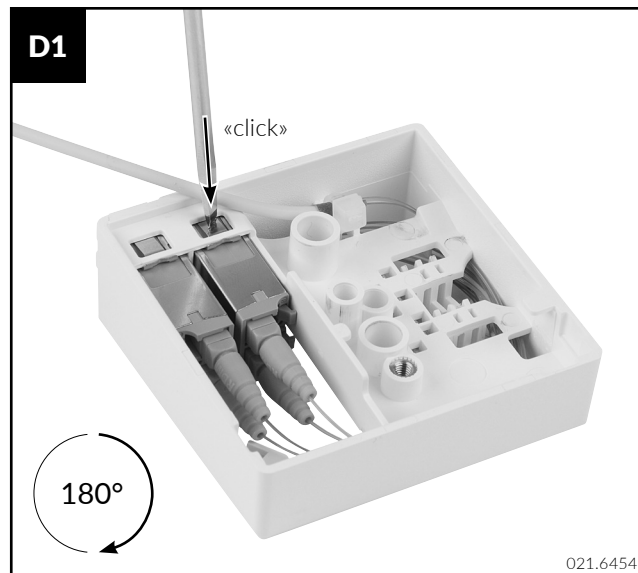
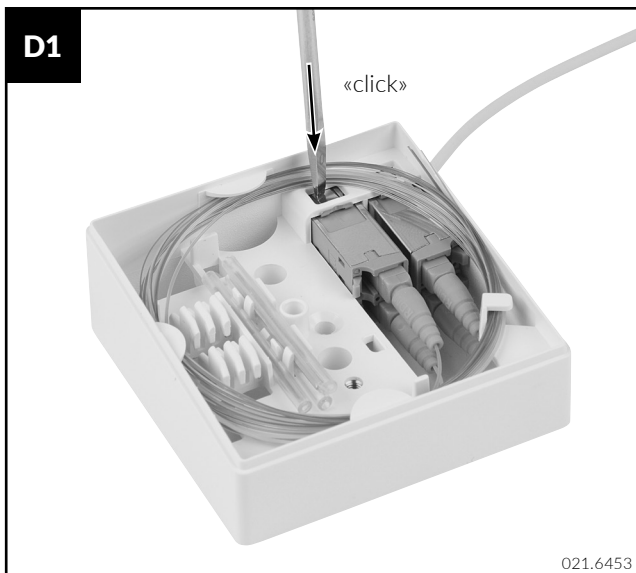


## C - Installation / Installation / Installazione





## D - Pigtails ersetzen / Remplacement des pigtails / Sostituzione pigtails



### Headquarters

#### Switzerland

Reichle & De-Massari AG

Binzstrasse 32

CHE-8620 Wetzikon

Telephone HQ +41 (0)44 933 81 11

Telefax HQ +41 (0)44 930 49 41

E-Mail [hq@rdm.com](mailto:hq@rdm.com)

[www.rdm.com](http://www.rdm.com)



### Please note:

This guide shows the best practices for installation **ONLY**. R&M expressly disclaims all liability for any damage to material, equipment, and for any injury or death. Legal health and safety regulations should have priority over best practices as shown in this guide. R&M does not guarantee this guide to be free of errors. Products included may vary from products shown. Please exercise caution.