

Features

- START Downlight 5in1 is an integrated LED recessed / surface mounted downlight with built in non dimmable driver. Colour temperature (3000K, 4000K and 6500K) can be adjusted by a 3-way switch located on the back of the fixture. Adaptability to various cut-outs from 50mm to 125mm.

Product Overview

Product name	START Downlight 5IN1 50-125 600LM
Technology	LED
Cap/Base	N/A
Housing	PC Polycarbonate
Mount	Ceiling recessed mounting, Ceiling surface mounting
General application	Residential & Consumer
ETIM Class	EC001744
Fixture luminous flux (lm)	600
Luminaire efficacy (lm/W)	100
Colour temperature (K)	4000
Light colour	N/A
CRI (Ra)	80
Colour Variation Initial (SDCM)	6
Beam Angle (°)	110
Photobiological Risk Group	RG0
Total power consumption (W)	6
Electrical protection	Class II
Control gear type	LED driver constant current
Dimmable	No
Housing colour	RAL9003

START Downlight 5IN1 50-125 600LM 0053147

IP rating

IP20

IK rating

IK05

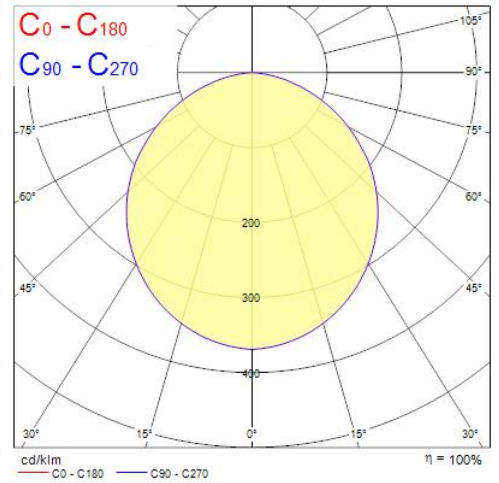
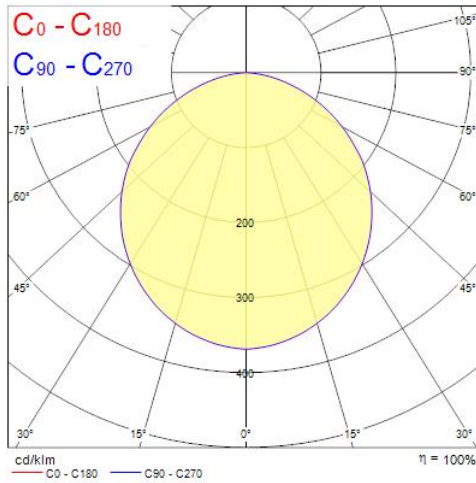
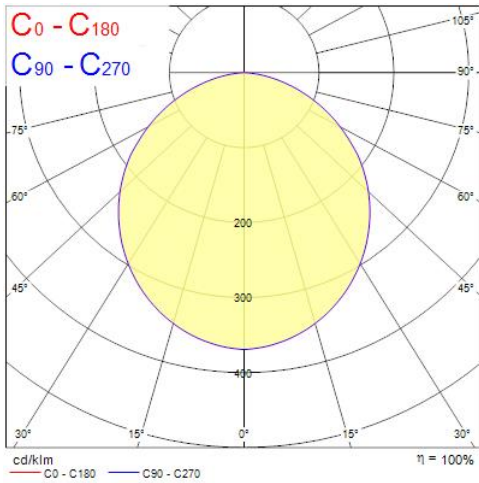
Product EAN number

5410288531472

Warranty

3 years

Photometry



Distance [m]	Cone diameter [m]	E(0°) E(C0)	E(0°) E(C270)
0.5	1.40	847 84	847 84
1.0	2.79	212 21	212 21
1.5	4.19	94 9	94 9
2.0	5.59	53 5	53 5
2.5	6.98	34 3	34 3
3.0	8.38	24 2	24 2

Distance [m] Cone diameter [m] Illuminance [lx]
— C0 - C180 (Half beam angle: 108.8°)

Distance [m]	Cone diameter [m]	E(0°) E(C0)	E(0°) E(C270)
0.5	1.40	868 86	868 86
1.0	2.79	216 21	216 21
1.5	4.19	96 9	96 9
2.0	5.59	54 5	54 5
2.5	6.98	35 3	35 3
3.0	8.38	24 2	24 2

Distance [m] Cone diameter [m] Illuminance [lx]
— C0 - C180 (Half beam angle: 108.8°)

Distance [m]	Cone diameter [m]	E(0°) E(C0)	E(0°) E(C270)
0.5	1.40	888 87	888 87
1.0	2.80	222 22	222 22
1.5	4.21	96 10	96 10
2.0	5.61	55 5	55 5
2.5	7.01	35 3	35 3
3.0	8.41	25 2	25 2

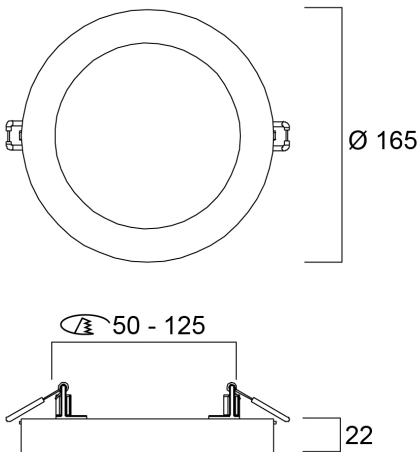
Distance [m] Cone diameter [m] Illuminance [lx]
— C0 - C180 (Half beam angle: 109.0°)

START Downlight 5IN1 50-125 600LM 0053147

0.5	1.40	E(0°) E(C0)	54.5°	886 87
1.0	2.80	E(0°) E(C0)	54.5°	222 22
1.5	4.21	E(0°) E(C0)	54.5°	96 10
2.0	5.61	E(0°) E(C0)	54.5°	55 5
2.5	7.01	E(0°) E(C0)	54.5°	35 3
3.0	8.41	E(0°) E(C0)	54.5°	25 2

Distance [m] Cone diameter [m] Illuminance [lx]
 — C0 - C180 (Half beam angle: 109.0°)

Technical drawings



Data table

GENERAL DATA

Product name	START Downlight 5IN1 50-125 600LM
Technology	LED
Cap/Base	N/A
Housing	PC Polycarbonate

START Downlight 5IN1 50-125 600LM 0053147

Mount	Ceiling recessed mounting, Ceiling surface mounting
General application	Residential & Consumer
Operating temperature range (°C)	-20°C - 40°C
ETIM Class	EC001744
Warranty	3 years

OPTICAL DATA

Fixture luminous flux (lm)	600
Luminaire efficacy (lm/W)	100
Colour temperature (K)	4000
Correlated colour temperature range (K)	3000 - 6500
Light colour	N/A
CRI (Ra)	80
Colour Variation Initial (SDCM)	6
Beam Angle (°)	110
Distribution type	Symmetric
Photobiological Risk Group	RG0

ELECTRICAL DATA

Total power consumption (W)	6
Mains voltage (V)	220-240V~
Lamp power factor	1
THD (at 230 V, 50 Hz, full load, at 100% dimming level) ≤ xx.x %	85.0
Electrical protection	Class II
Control gear required	No
Control gear type	LED driver constant current
Dimmable	No
Drive current (mA)	18
Glow Wire Test (°C)	650
Energy Efficiency Class (A->G) of contained light source	F
Nominal Frequency (Hz)	50/60Hz

START Downlight 5IN1 50-125 600LM 0053147

Max. Luminaires per 16A C Breaker	238
Max. Luminaires per 16A B Breaker	140

PHYSICAL DATA

Housing colour	RAL9003
IP rating	IP20
IK rating	IK05
Diffuser finish	Opal
Diffuser material	PC Polycarbonate
Reflector finish	White
Nominal Product Height (mm)	22
Nominal Product Diameter (mm)	165
Weight (kg)	0.269

PACKAGING

Single packaging type	Carton
Product EAN number	5410288531472
Packaging single length / height (cm)	18.3
Packaging single width (cm)	4.3
Packaging single depth (cm)	17.0
DUN14 (outer)	15410288531479
Units per outer package	14
Packaging outer length / height (cm)	38.1
Packaging outer width (cm)	32.1
Packaging outer depth (cm)	19.5

SAFETY DATA

Optimal operating condition (°C)	-20-40
Special purpose lamp	No
Dry applications use only	No
Suitable for household illumination	No