

### Features

- START Downlight 5in1 is an integrated LED recessed / surface mounted downlight with built in non dimmable driver. Colour temperature (3000K, 4000K and 6500K) can be adjusted by a 3-way switch located on the back of the fixture. Adaptability to various cut-outs from 65mm to 260mm

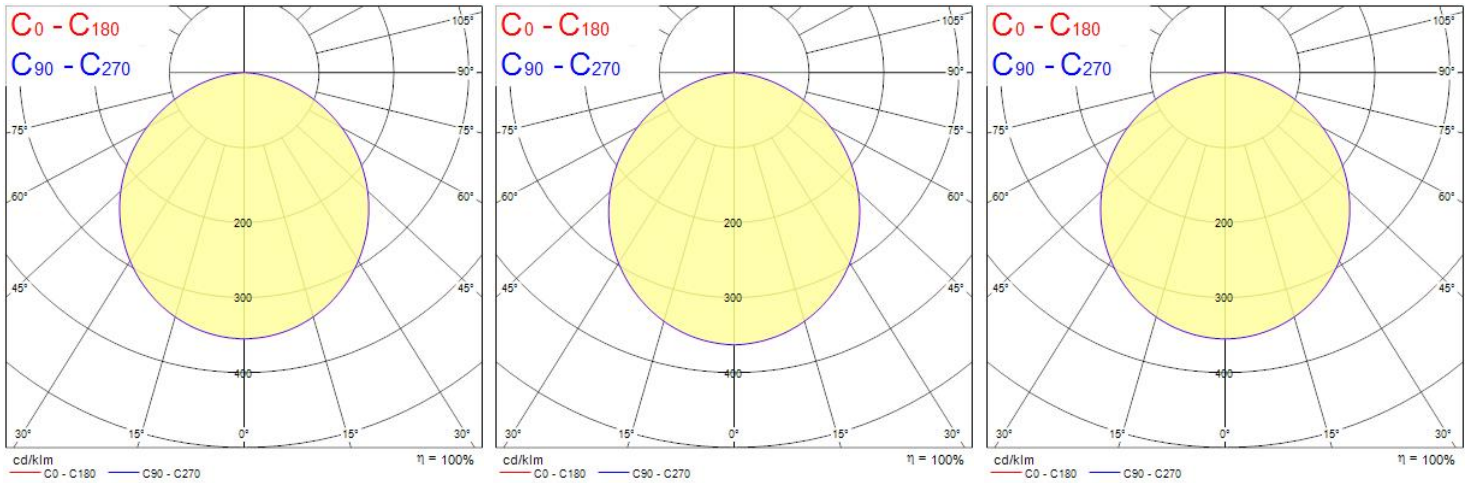
### Product Overview

Product name	START Downlight 5in1 65-260 2300LM
Technology	LED
Cap/Base	N/A
Housing	PC Polycarbonate
Mount	Ceiling recessed mounting, Ceiling surface mounting
General application	Residential & Consumer
ETIM Class	EC001744
Fixture luminous flux (lm)	2300
Luminaire efficacy (lm/W)	100
Colour temperature (K)	4000
Light colour	N/A
CRI (Ra)	80
Colour Variation Initial (SDCM)	6
Beam Angle (°)	110
Photobiological Risk Group	RG0
Total power consumption (W)	23
Electrical protection	Class II
Control gear type	LED driver constant current
Dimmable	No
Housing colour	RAL 9003 - Signal white

## START Downlight 5in1 65-260 2300LM 0053151

IP rating	IP20
IK rating	IK05
Product EAN number	5410288531519
Warranty	3 years

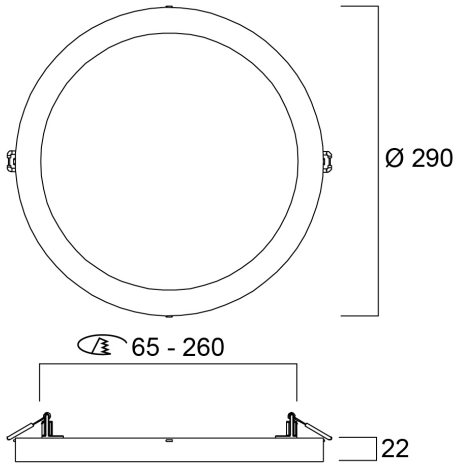
### Photometry



Distance [m]	Cone diameter [m]	Beam type	Half beam angle	Beam type	Half beam angle	Beam type	Half beam angle	Beam type	Half beam angle	Beam type	Half beam angle	Beam type	Half beam angle	Beam type	Half beam angle	Beam type	Half beam angle	Beam type	Half beam angle				
0.5	1.47	C0 - C180	111.4°	C90 - C270	111.4°	3252	292	0.5	1.43	C0 - C180	110.0°	C90 - C270	110.0°	3316	313	0.5	1.47	C0 - C180	111.4°	C90 - C270	111.4°	3258	292
1.0	2.93	C0 - C180	111.4°	C90 - C270	111.4°	813	73	1.0	2.86	C0 - C180	110.0°	C90 - C270	110.0°	829	78	1.0	2.93	C0 - C180	111.4°	C90 - C270	111.4°	815	73
1.5	4.40	C0 - C180	111.4°	C90 - C270	111.4°	361	32	1.5	4.28	C0 - C180	110.0°	C90 - C270	110.0°	368	35	1.5	4.40	C0 - C180	111.4°	C90 - C270	111.4°	362	32
2.0	5.86	C0 - C180	111.4°	C90 - C270	111.4°	203	18	2.0	5.71	C0 - C180	110.0°	C90 - C270	110.0°	207	20	2.0	5.86	C0 - C180	111.4°	C90 - C270	111.4°	204	18
2.5	7.33	C0 - C180	111.4°	C90 - C270	111.4°	130	12	2.5	7.14	C0 - C180	110.0°	C90 - C270	110.0°	133	13	2.5	7.33	C0 - C180	111.4°	C90 - C270	111.4°	130	12
3.0	8.80	C0 - C180	111.4°	C90 - C270	111.4°	90	8	3.0	8.57	C0 - C180	110.0°	C90 - C270	110.0°	92	9	3.0	8.80	C0 - C180	111.4°	C90 - C270	111.4°	91	8

## START Downlight 5in1 65-260 2300LM 0053151

### Technical drawings



### Data table

#### GENERAL DATA

Product name	START Downlight 5in1 65-260 2300LM
Technology	LED
Cap/Base	N/A
Housing	PC Polycarbonate
Mount	Ceiling recessed mounting, Ceiling surface mounting
General application	Residential & Consumer
Operating temperature range (°C)	-20°C - 40°C
ETIM Class	EC001744
Warranty	3 years

#### OPTICAL DATA

Fixture luminous flux (lm)	2300
Luminaire efficacy (lm/W)	100
Colour temperature (K)	4000
Correlated colour temperature range (K)	3000 - 6500

## START Downlight 5in1 65-260 2300LM 0053151

Light colour	N/A
CRI (Ra)	80
Colour Variation Initial (SDCM)	6
Beam Angle (°)	110
Distribution type	Symmetric
Photobiological Risk Group	RG0

### ELECTRICAL DATA

Total power consumption (W)	23
Mains voltage (V)	220-240V~
Lamp power factor	0.7
THD (at 230 V, 50 Hz, full load, at 100% dimming level) ≤ xx.x %	85.0
Electrical protection	Class II
Control gear required	No
Control gear type	LED driver constant current
Dimmable	No
Drive current (mA)	73
Glow Wire Test (°C)	650
Energy Efficiency Class (A->G) of contained light source	E
Nominal Frequency (Hz)	50/60Hz
Max. Luminaires per 16A C Breaker	39
Max. Luminaires per 16A B Breaker	23

### PHYSICAL DATA

Housing colour	RAL 9003 - Signal white
IP rating	IP20
IK rating	IK05
Diffuser finish	Opal
Diffuser material	PC Polycarbonate
Reflector finish	White
Nominal Product Height (mm)	22
Nominal Product Diameter (mm)	290

## START Downlight 5in1 65-260 2300LM 0053151

Weight (kg)	0.633
-------------	-------

### PACKAGING

Single packaging type	Carton
Product EAN number	5410288531519
Packaging single length / height (cm)	30.6
Packaging single width (cm)	4.3
Packaging single depth (cm)	29.8
DUN14 (outer)	15410288531516
Units per outer package	8
Packaging outer length / height (cm)	36.5
Packaging outer width (cm)	32.0
Packaging outer depth (cm)	32.3

### SAFETY DATA

Optimal operating condition (°C)	-20-40
Special purpose lamp	No
Dry applications use only	No
Suitable for household illumination	No