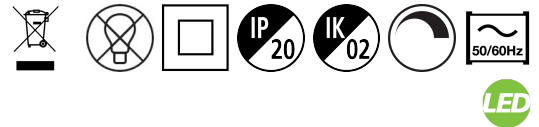


# Concord

EQUINOX 165 2300 930 SSC  
2059936



## Features

- Equinox is an elegant and innovative luminaire designed using the latest optical technology. It is a high quality and efficient lighting solution for office, hospitality, and retail environments. It creates inspirational halo effects regulated by a unique adjustable optic system. It is Sylsmart dimmable downlight luminaire, Colour rendering index Ra >90, Colour temperature: 3000K Warm White, Class II, Cut out dimensions: 165mm. Low Glare UGR<19.

## Product Overview

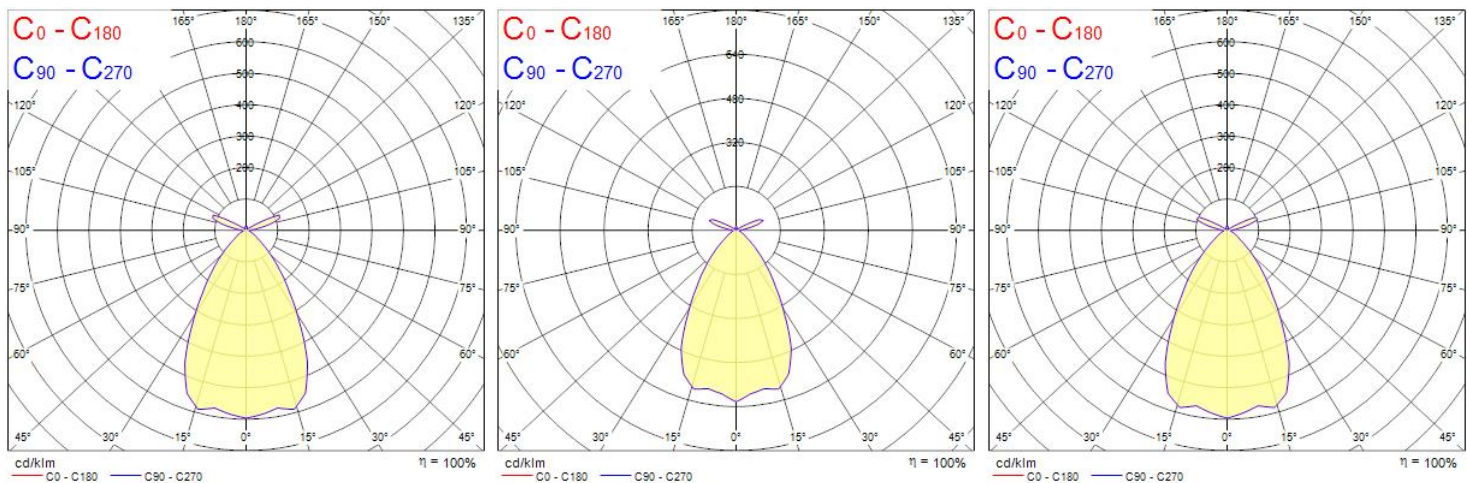
Product name	EQUINOX 165 2300 930 SSC
Technology	LED
Cap/Base	N/A
Housing	Aluminium
Mount	Ceiling recessed mounting
General application	Office
ETIM Class	EC001744
Fixture luminous flux (lm)	2300
Luminaire efficacy (lm/W)	115
Colour temperature (K)	3000
Light colour	Warm White
CRI (Ra)	90
Colour Consistency (SDCM)	3
Colour Variation Initial (SDCM)	3
Beam Angle (°)	64
Glare control	< 19

# Concord

EQUINOX 165 2300 930 SSC  
2059936

Photobiological Risk Group	RG1
Total power consumption (W)	20
Electrical protection	Class II
Control gear type	LED driver constant current
Control gear mounting	Remote
Dimmable	Yes
Minimum dimming level (%)	1
Housing colour	RAL 9016 - Traffic white / Bezel
IP rating	IP20
IK rating	IK02
Product EAN number	5025768599363
Warranty	5 years

## Photometry



# Concord

## EQUINOX 165 2300 930 SSC 2059936

Distance [m]	Cone diameter [m]	E(0°) E(C0)	32.0°	E(0°) E(C0)
0.5	0.62	5490 1681		
1.0	1.25	1373 420		
1.5	1.87	610 187		
2.0	2.50	343 106		
2.5	3.12	220 67		
3.0	3.75	153 47		

Distance [m]    Cone diameter [m]    Illuminance [lx]  
C0 - C180 (Half beam angle: 64.0°)

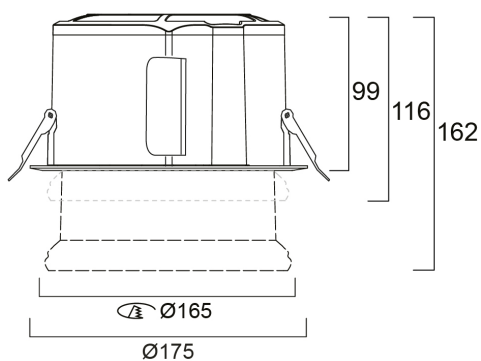
Distance [m]	Cone diameter [m]	E(0°) E(C0)	31.9°	E(0°) E(C0)
0.5	0.62	5480 1677		
1.0	1.24	1370 419		
1.5	1.87	609 186		
2.0	2.49	342 105		
2.5	3.11	219 67		
3.0	3.73	152 47		

Distance [m]    Cone diameter [m]    Illuminance [lx]  
C0 - C180 (Half beam angle: 63.8°)

Distance [m]	Cone diameter [m]	E(0°) E(C0)	32.6°	E(0°) E(C0)
0.5	0.64	1015 305		
1.0	1.28	254 76		
1.5	1.92	113 34		
2.0	2.56	63 19		
2.5	3.20	41 12		
3.0	3.84	28 8		

Distance [m]    Cone diameter [m]    Illuminance [lx]  
C0 - C180 (Half beam angle: 65.2°)

## Technical drawings



## Data table

### GENERAL DATA

Product name	EQUINOX 165 2300 930 SSC
Technology	LED
Cap/Base	N/A

# Concord

EQUINOX 165 2300 930 SSC  
2059936

Housing	Aluminium
Mount	Ceiling recessed mounting
General application	Office
Operating temperature range (°C)	1°C - 25°C
Performance ambient temperature Tq (°C)	25
ETIM Class	EC001744
Warranty	5 years

## OPTICAL DATA

Fixture luminous flux (lm)	2300
Luminaire efficacy (lm/W)	115
Colour temperature (K)	3000
Correlated colour temperature range (K)	3000 - 3000
Light colour	Warm White
CRI (Ra)	90
Colour Consistency (SDCM)	3
Colour Variation Initial (SDCM)	3
Beam Angle (°)	64
Distribution type	Diffuse
Glare control	< 19
Photobiological Risk Group	RG1

## ELECTRICAL DATA

Total power consumption (W)	20
Mains voltage (V)	220-240V
Lamp power factor	0.96
THD (at 230 V, 50 Hz, full load, at 100% dimming level) ≤ xx.x %	10
Electrical protection	Class II
Control gear required	No
Control gear type	LED driver constant current
Control gear mounting	Remote
Transformer required	No

# Concord

EQUINOX 165 2300 930 SSC  
2059936

Dimmable	Yes
Minimum dimming level (%)	1
Drive current (mA)	650
Drive current - Range (mA)	650mA / 650mA
Inrush Current (A)	26.4
Inrush Duration (µs)	224
Glow Wire Test (°C)	650
Nominal Frequency (Hz)	50/60Hz
Max. Luminaires per 10A C Breaker	16
Max. Luminaires per 13A C Breaker	21
Max. Luminaires per 16A C Breaker	26
Max. Luminaires per 20A C Breaker	33
Max. Luminaires per 10A B Breaker	10
Max. Luminaires per 13A B Breaker	13
Max. Luminaires per 16A B Breaker	16
Max. Luminaires per 20A B Breaker	20

## LIFETIME DATA

Lifespan L70 B50	120000
Lifespan L80 B20	114000
Lifespan L80 B10	108000
Lifespan L90 B10	51500

## PHYSICAL DATA

Housing colour	RAL 9016 - Traffic white / Bezel
IP rating	IP20
IK rating	IK02
Diffuser finish	Other
Diffuser material	PMMA Acrylic
Reflector finish	None
Nominal Product Height (mm)	99
Nominal Product Diameter (mm)	175
Cutout Dimensions (W x L in mm or Diameter in mm)	165

# Concord

EQUINOX 165 2300 930 SSC  
2059936

Weight (kg)	1.55
-------------	------

## PACKAGING

Single packaging type	Carton
Product EAN number	5025768599363
Packaging single length / height (cm)	20.0
Packaging single width (cm)	25.0
Packaging single depth (cm)	20.0
DUN14 (outer)	05025768599363
Units per outer package	1
Packaging outer length / height (cm)	20.0
Packaging outer width (cm)	25.0
Packaging outer depth (cm)	20.0

## SAFETY DATA

Optimal operating condition (°C)	1-25
Special purpose lamp	No
Dry applications use only	No
Suitable for household illumination	No