



## Features

- Integrated LED highbay; Black aluminium housing; 13000Lm; 80 W; 163 Lm/W; 4000K; Drive current: 410mA; CRI 80; 55° beam angle; 0-10V dimmable; IP65; IK08; Lifespan L80:B50 90,000 hrs; (D x H) 298 x 168 mm; 1.5 m mains cable; 1.5 m control cable; 1.2 m chain length including hooks.

## Product Overview

Product name	Granit IP65 0-10V 13000lm 840 MB
Technology	LED
General application	Logistics & Industry
ETIM Class	EC001716
Fixture luminous flux (lm)	13000
Luminaire efficacy (lm/W)	163
Colour temperature (K)	4000
Light colour	Neutral White
CRI (Ra)	80
Colour Variation Initial (SDCM)	3
Beam Angle (°)	55
Glare control	< 22
Photobiological Risk Group	RG1
Total power consumption (W)	80
Electrical protection	Class I
Dimmable	Yes
LED Flickering Rate	Low (6% - 20%)
Housing colour	RAL9017
IP rating	IP65
IK rating	IK08

Granit IP65 0-10V 13000lm 840 MB  
0039730

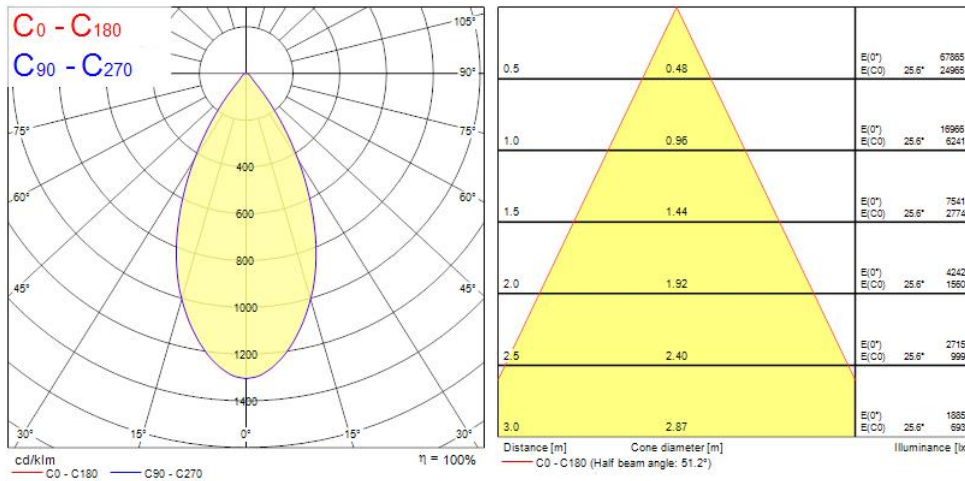
Product EAN number

5410288397306

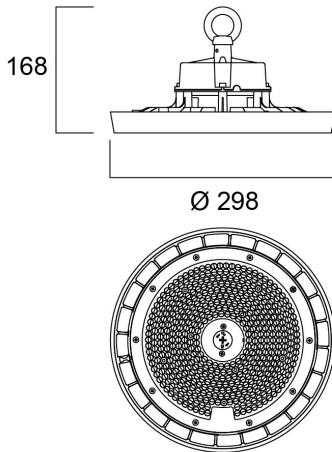
Warranty

5 years

## Photometry



## Technical drawings



## Data table

### GENERAL DATA

Product name	Granit IP65 0-10V 13000lm 840 MB
Technology	LED
General application	Logistics & Industry
Operating temperature range (°C)	-30°C - 50°C
ETIM Class	EC001716
Warranty	5 years

### OPTICAL DATA

Fixture luminous flux (lm)	13000
Luminaire efficacy (lm/W)	163
Colour temperature (K)	4000
Light colour	Neutral White
CRI (Ra)	80
Colour Variation Initial (SDCM)	3
Beam Angle (°)	55
Distribution type	Symmetric
Glare control	< 22
Photobiological Risk Group	RG1

### ELECTRICAL DATA

Total power consumption (W)	80
Mains voltage (V)	220-240V
Lamp power factor	0.95
THD (at 230 V, 50 Hz, full load, at 100% dimming level) ≤ xx.x %	20
Electrical protection	Class I
Control gear required	No
No. Of switching cycles before premature failures	>100000
Dimmable	Yes
Drive current (mA)	410
Inrush Current (A)	80

## Granit IP65 0-10V 13000lm 840 MB 0039730

Inrush Duration ( $\mu$ s)	300
Glow Wire Test ( $^{\circ}$ C)	850
Nominal Frequency (Hz)	50/60Hz
LED Flickering Rate	Low (6% - 20%)
Max. Luminaires per 10A C Breaker	5
Max. Luminaires per 13A C Breaker	6
Max. Luminaires per 16A C Breaker	9
Max. Luminaires per 20A C Breaker	11
Max. Luminaires per 10A B Breaker	3
Max. Luminaires per 13A B Breaker	7
Max. Luminaires per 16A B Breaker	5
Max. Luminaires per 20A B Breaker	6
Mains surge immunity (differential mode -> L-N) (kV)	6
Mains surge immunity (common mode -> L/N - GND) (kV)	6

### LIFETIME DATA

Lifespan L70 B50	90000
Lifespan L70 B20	90000
Lifespan L70 B10	90000
Lifespan L80 B50	90000
Lifespan L80 B20	82000
Lifespan L80 B10	77000
Lifespan L90 B50	44000
Lifespan L90 B20	40000
Lifespan L90 B10	37000

### PHYSICAL DATA

Housing colour	RAL9017
IP rating	IP65
IK rating	IK08
Nominal Product Height (mm)	168
Nominal Product Diameter (mm)	298

Granit IP65 0-10V 13000lm 840 MB  
0039730

Weight (kg)	2.243
-------------	-------

## PACKAGING

Single packaging type	Carton
Product EAN number	5410288397306
Packaging single length / height (cm)	32.5
Packaging single width (cm)	32.5
Packaging single depth (cm)	14.5
DUN14 (outer)	05410288397306
Units per outer package	1
Packaging outer length / height (cm)	32.5
Packaging outer width (cm)	32.5
Packaging outer depth (cm)	14.5

## SAFETY DATA

Optimal operating condition (°C)	-30-50
Special purpose lamp	No
Dry applications use only	No
Suitable for household illumination	No