



Features

- Integrated LED highbay; Black aluminium housing; 26400 Lm; 165 W; 160 Lm/W; 4000K; Drive current: 720mA; CRI 80; 85° beam angle; Sylsmart SSA - Connected; IP54; Lifespan L80:B50 90,000 hrs; suspension wires included.

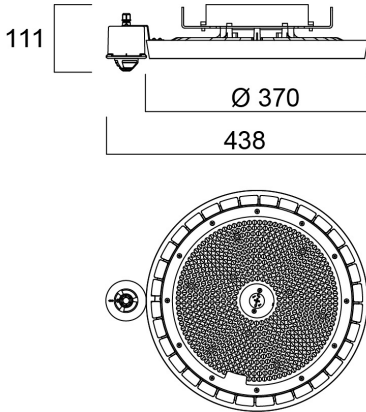
Product Overview

Product name	GRANIT IP54 26400LM 840 WB SSA
Technology	LED
General application	Logistics & Industry
ETIM Class	EC001716
Fixture luminous flux (lm)	26400
Luminaire efficacy (lm/W)	160
Colour temperature (K)	4000
Light colour	Neutral White
CRI (Ra)	80
Colour Variation Initial (SDCM)	3
Beam Angle (°)	85
Glare control	< 25
Photobiological Risk Group	RG1
Total power consumption (W)	165
Electrical protection	Class I
Dimmable	Yes
LED Flickering Rate	Low (6% - 20%)
Housing colour	RAL9017
IP rating	IP54
IK rating	IK08

GRANIT IP54 26400LM 840 WB SSA 0039771

Product EAN number	5410288397719
Warranty	5 years

Technical drawings



Data table

GENERAL DATA

Product name	GRANIT IP54 26400LM 840 WB SSA
Technology	LED
General application	Logistics & Industry
Operating temperature range (°C)	-20°C - 40°C
ETIM Class	EC001716
Warranty	5 years

OPTICAL DATA

Fixture luminous flux (lm)	26400
Luminaire efficacy (lm/W)	160
Colour temperature (K)	4000
Light colour	Neutral White
CRI (Ra)	80
Colour Variation Initial (SDCM)	3

GRANIT IP54 26400LM 840 WB SSA 0039771

Beam Angle (°)	85
Distribution type	Symmetric
Glare control	< 25
Photobiological Risk Group	RG1

ELECTRICAL DATA

Total power consumption (W)	165
Mains voltage (V)	220-240V
Lamp power factor	0.90
THD (at 230 V, 50 Hz, full load, at 100% dimming level) ≤ xx.x %	10
Electrical protection	Class I
Control gear required	No
No. Of switching cycles before premature failures	>100000
Dimmable	Yes
Drive current (mA)	720
Inrush Current (A)	103
Inrush Duration (µs)	264
Glow Wire Test (°C)	650
Nominal Frequency (Hz)	50/60Hz
LED Flickering Rate	Low (6% - 20%)
Max. Luminaires per 10A C Breaker	5
Max. Luminaires per 13A C Breaker	6
Max. Luminaires per 16A C Breaker	8
Max. Luminaires per 20A C Breaker	10
Max. Luminaires per 10A B Breaker	3
Max. Luminaires per 13A B Breaker	4
Max. Luminaires per 16A B Breaker	5
Max. Luminaires per 20A B Breaker	6
Mains surge immunity (differential mode -> L-N) (kV)	6
Mains surge immunity (common mode -> L/N - GND) (kV)	10

LIFETIME DATA

Lifespan L70 B50	90000
Lifespan L70 B20	90000
Lifespan L70 B10	90000
Lifespan L80 B50	90000
Lifespan L80 B20	82000
Lifespan L80 B10	77000
Lifespan L90 B50	44000
Lifespan L90 B20	40000
Lifespan L90 B10	37000

PHYSICAL DATA

Housing colour	RAL9017
IP rating	IP54
IK rating	IK08
IK rating of sensor	IK03
Nominal Product Height (mm)	163
Nominal Product Diameter (mm)	370
Weight (kg)	3.407

PACKAGING

Single packaging type	Carton
Product EAN number	5410288397719
Packaging single length / height (cm)	40.0
Packaging single width (cm)	40.0
Packaging single depth (cm)	13.0
DUN14 (outer)	05410288397719
Units per outer package	1
Packaging outer length / height (cm)	40.0
Packaging outer width (cm)	40.0
Packaging outer depth (cm)	13.0

SAFETY DATA

GRANIT IP54 26400LM 840 WB SSA
0039771

Optimal operating condition (°C)	-20-40
Special purpose lamp	No
Dry applications use only	No
Suitable for household illumination	No