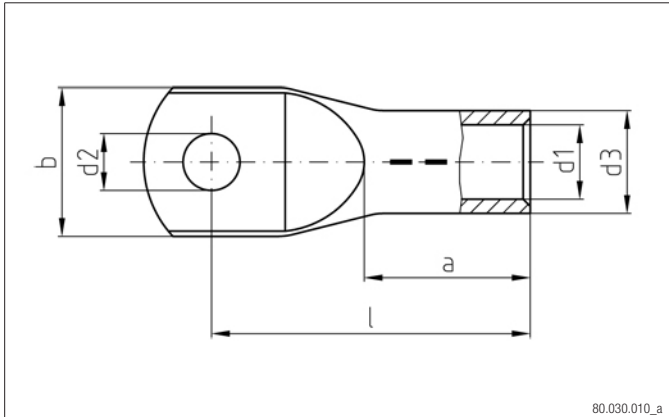


PKS DIN 46235



80.030.010_a



80.030.010_b



MAT

Kupfer, galvanisch verzinkt / blank

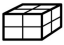

RoHS

Presskabelschuh PKS DIN 46235

Werkstoff Cu-ETP (6 + 10 mm²) bzw. Cu-HCP (ab 6 mm²) nach DIN EN 13600.
Oberfläche galvanisch verzinkt, wahlweise blank.

mm ²	Ø mm	KE	d1 mm	d3 mm	d2 mm	b mm	l mm	a mm	KG/100			Plica-Nr.	E-Nr.	VE
6	M5	5	3.7	5.5	5.3	8.5	24.0	10.0	0.31	100	verzinkt	61.4130.680	156 340 829	100
	M6	5	3.7	5.5	6.4	9.0	24.0	10.0	0.34	100	verzinkt	61.4130.690	156 340 839	100
	M8*	5	3.7	5.5	8.4	13.0	26.0	10.0	0.35	100	verzinkt	61.4130.700		100
10	M5	6	4.4	6.0	5.3	10.0	27.0	10.0	0.38	100	verzinkt	61.4130.200	156 341 029	100
	M6	6	4.4	6.0	6.4	10.0	27.0	10.0	0.37	100	verzinkt	61.4130.210	156 341 039	100
	M8*	6	4.4	6.0	8.4	13.0	28.0	10.0	0.38	100	verzinkt	61.4130.220	156 341 049	100
	M10*	6	4.4	6.0	10.5	15.0	29.0	10.0	0.38	100	verzinkt	61.4130.190		100
16	M5*	8	5.5	8.5	5.3	13.0	36.0	20.0	1.22	100	verzinkt	61.4130.904		100
	M6	8	5.5	8.5	6.4	13.0	36.0	20.0	1.27	100	verzinkt	61.4130.350	156 341 139	100
	M8	8	5.5	8.5	8.4	13.0	37.0	20.0	1.30	100	verzinkt	61.4130.360	156 341 149	100
	M10	8	5.5	8.5	10.5	16.5	38.0	20.0	1.34	100	verzinkt	61.4130.320	156 341 159	100
	M12*	8	5.5	8.5	13.0	19.0	40.0	20.0	1.36	100	verzinkt	61.4130.340	156 341 169	100
25	M6	10	7.0	10.0	6.4	14.0	39.0	20.0	1.62	100	verzinkt	61.4130.500	156 341 239	100
	M8	10	7.0	10.0	8.4	17.0	39.0	20.0	1.76	100	verzinkt	61.4130.510	156 341 249	100
	M10	10	7.0	10.0	10.5	17.0	40.5	20.0	1.80	100	verzinkt	61.4130.470	156 341 259	100
	M12	10	7.0	10.0	13.0	18.0	40.5	20.0	1.73	100	verzinkt	61.4130.490	156 341 269	100
35	M12*	10	7.0	10.0	17.0	22.0	45.0	20.0	1.99	100	verzinkt	61.4130.905		100
	M6*	12	8.2	12.5	6.4	17.5	42.5	20.0	3.12	100	verzinkt	61.4130.580		100
	M8	12	8.2	12.5	8.4	18.0	42.0	20.0	3.24	100	verzinkt	61.4130.590	156 341 349	100
	M10	12	8.2	12.5	10.5	20.0	42.5	20.0	3.19	100	verzinkt	61.4130.550	156 341 359	100
	M12	12	8.2	12.5	13.0	21.0	43.0	20.0	3.17	100	verzinkt	61.4130.560	156 341 369	100
	M16*	12	8.2	12.5	17.0	28.0	47.0	20.0	3.14	100	verzinkt	61.4130.906		100

Technische Änderungen vorbehalten – Sous réserve de changements techniques – Technical alterations reserved

mm ²	Ø mm	KE	d ₁ mm	d ₃ mm	d ₂ mm	b mm	l mm	a mm	KG/100			Plica-Nr.	E-Nr.	VE
50	M6*	14	10.0	14.5	6.4	20.0	52.0	28.0	4.59	100	verzinkt	61.4130.921		100
	M8	14	10.0	14.5	8.4	20.0	52.0	28.0	4.72	50	verzinkt	61.4130.660	156 341 449	50
	M10	14	10.0	14.5	10.5	22.0	52.0	28.0	4.81	50	verzinkt	61.4130.620	156 341 459	50
	M12	14	10.0	14.5	13.0	24.0	52.0	28.0	4.70	50	verzinkt	61.4130.630	156 341 469	50
	M14*	14	10.0	14.5	15.0	26.0	53.5	28.0	4.70	100	verzinkt	61.4130.927		100
70	M16	14	10.0	14.5	17.0	28.0	55.5	28.0	4.90	50	verzinkt	61.4130.650	156 341 489	50
	M8	16	11.3	16.5	8.4	24.0	56.0	28.0	6.54	25	verzinkt	61.4130.760	156 341 549	25
	M10	16	11.3	16.5	10.5	24.0	56.0	28.0	6.54	25	verzinkt	61.4130.720	156 341 559	25
	M12	16	11.3	16.5	13.0	24.0	56.5	28.0	6.49	25	verzinkt	61.4130.730	156 341 569	25
	M14*	16	11.3	16.5	15.0	24.0	55.5	28.0	6.41	50	verzinkt	61.4130.926		50
95	M16	16	11.3	16.5	17.0	29.0	57.0	28.0	6.41	25	verzinkt	61.4130.750	156 341 589	25
	M8*	18	13.5	19.0	8.4	28.0	65.0	35.0	9.36	50	verzinkt	61.4130.820		50
	M10	18	13.5	19.0	10.5	28.0	65.5	35.0	9.55	25	verzinkt	61.4130.780	156 341 659	25
	M12	18	13.5	19.0	13.0	28.0	65.5	35.0	9.45	25	verzinkt	61.4130.790	156 341 669	25
	M14*	18	13.5	19.0	15.0	28.0	65.5	35.0	9.20	50	verzinkt	61.4130.922		50
120	M16	18	13.5	19.0	17.0	31.0	65.5	35.0	9.44	25	verzinkt	61.4130.810	156 341 689	25
	M20*	18	13.5	19.0	21.0	33.0	71.0	35.0	9.86	50	verzinkt	61.4130.907		50
	M8*	20	15.5	21.0	8.4	31.0	70.0	35.0	11.35	50	verzinkt	61.4130.919		5
	M10	20	15.5	21.0	10.5	31.0	70.0	35.0	11.40	25	verzinkt	61.4130.240	156 342 059	25
	M12	20	15.5	21.0	13.0	31.0	70.5	35.0	11.44	25	verzinkt	61.4130.250	156 342 069	25
150	M14*	20	15.5	21.0	15.0	31.0	70.0	35.0	11.47	50	verzinkt	61.4130.920		50
	M16	20	15.5	21.0	17.0	31.5	70.0	35.0	11.15	25	verzinkt	61.4130.260	156 342 089	25
	M20	20	15.5	21.0	21.0	36.0	72.0	35.0	11.51	25	verzinkt	61.4130.270	156 342 099	25
	M8*	22	17.0	23.5	8.4	34.0	79.0	35.0	16.60	25	verzinkt	61.4130.908		25
	M10	22	17.0	23.5	10.5	34.0	79.0	35.0	16.41	5	verzinkt	61.4130.280	156 342 159	5
185	M12	22	17.0	23.5	13.0	34.0	78.5	35.0	16.97	5	verzinkt	61.4130.290	156 342 169	5
	M14*	22	17.0	23.5	15.0	34.0	78.0	35.0	15.66	25	verzinkt	61.4130.928		25
	M16	22	17.0	23.5	17.0	34.0	78.0	35.0	16.35	5	verzinkt	61.4130.300	156 342 189	5
	M20	22	17.0	23.5	21.0	38.0	78.0	35.0	15.98	5	verzinkt	61.4130.310	156 342 199	5
	M10	25	19.0	25.5	10.5	37.0	83.0	40.0	18.50	5	verzinkt	61.4130.370	156 342 259	5
240	M12	25	19.0	25.5	13.0	37.0	82.5	40.0	18.95	5	verzinkt	61.4130.380	156 342 269	5
	M14*	25	19.0	25.5	15.0	37.0	82.0	40.0	18.96	25	verzinkt	61.4130.929		25
	M16	25	19.0	25.5	17.0	37.0	82.0	40.0	18.78	5	verzinkt	61.4130.390	156 342 289	5
	M20	25	19.0	25.5	21.0	40.0	83.0	40.0	18.90	5	verzinkt	61.4130.410	156 342 299	5
	M10*	28	21.5	29.0	10.5	42.0	92.0	40.0	27.48	20	verzinkt	61.4130.420		25
300	M12	28	21.5	29.0	13.0	42.5	92.0	40.0	27.08	5	verzinkt	61.4130.430	156 342 469	5
	M14*	28	21.5	29.0	15.0	42.5	92.0	40.0	26.40	20	verzinkt	61.4130.923		20
	M16	28	21.5	29.0	17.0	42.5	92.0	40.0	27.63	5	verzinkt	61.4130.440	156 342 489	5
	M20	28	21.5	29.0	21.0	45.0	92.0	40.0	27.06	5	verzinkt	61.4130.460	156 342 499	5
	M10*	32	24.5	32.0	10.5	48.5	104.0	50.0	34.80	10	verzinkt	61.4130.909		10
400	M12*	32	24.5	32.0	13.0	48.5	104.0	50.0	33.65	1	verzinkt	61.4130.520		1
	M14*	32	24.5	32.0	15.0	48.5	104.0	50.0	34.60	10	verzinkt	61.4130.925		10
	M16	32	24.5	32.0	17.0	48.5	100.0	50.0	33.72	1	verzinkt	61.4130.530	156 342 689	1
	M20	32	24.5	32.0	21.0	48.5	100.0	50.0	34.46	1	verzinkt	61.4130.540	156 342 699	1
	M12*	38	27.5	38.5	13.0	55.0	117.0	70.0	71.70	5	verzinkt	61.4130.911		5
500	M16	38	27.5	38.5	17.0	55.0	117.0	70.0	70.28	1	verzinkt	61.4130.600	156 342 989	1
	M20	38	27.5	38.5	21.0	55.0	117.0	70.0	70.60	1	verzinkt	61.4130.610	156 342 999	1
	M12*	42	31.0	42.0	13.0	60.0	130.0	70.0	86.92	5	verzinkt	61.4130.912		5
	M14*	42	31.0	42.0	15.0	60.0	130.0	70.0	89.50	5	verzinkt	61.4130.924		5
	M16*	42	31.0	42.0	17.0	60.0	130.0	70.0	89.27	5	verzinkt	61.4130.913		5
625	M20	42	31.0	42.0	21.0	60.0	130.0	70.0	88.14	1	verzinkt	61.4130.670		1
	M16*	44	34.5	44.0	17.0	63.0	135.0	80.0	83.35	5	verzinkt	61.4130.916		5
	M20	44	34.5	44.0	21.0	63.0	135.0	80.0	82.05	1	verzinkt	61.4130.710		1
800	M16*	52	40.0	52.0	17.0	75.0	165.0	100.0	143.00	2	verzinkt	61.4130.918		1
	M20	52	40.0	52.0	21.0	75.0	165.0	100.0	145.55	1	verzinkt	61.4130.770		1
1000	M20	58	44.0	58.0	21.0	83.0	165.0	100.0	189.00	1	verzinkt	61.4130.230		1