

REFLED SUPERIA RETRO ES50 V5 360LM 965 36 SL

Code article 0030709

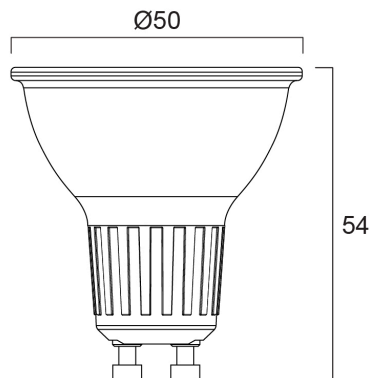
SYLVANIA



Premium performance professional LED GU10 range with the same look and feel of traditional halogen GU10 lamp. Recreates backlight effect similar to halogen dichroic lamps. Full glass design - means no colours clashing between lamp and fixture. Very long lifetime of up to 25,000 hours. COOLFIT functionality – ensures overheat and over temperature protection. High switching cycles: >100,000. High colour rendering: CRI90. Non dimmable. Warranty: 5 Years

Atouts techniques

Dimensions (mm)



Photométrie

REFLED SUPERIA RETRO ES50 V5 360LM 965 36 SL

Code article 0030709

SYLVANIA

Données générales

Nom du produit	REFLED SUPERIA RETRO ES50 V5 360LM 965 36 SL
Technologie	LED
Lamp shape	Reflector
Cap/Base	GU10
Lamp finish	Fresnel lens
Built in presence detector	NONE
Fixture rating	Open
General application	Education, Hospitality, Museums & Galleries, Office, Residential & Consumer, Retail
Operating temperature range (°C)	-20°C...+50°C
Virtual assistant compatibility	N/A
ETIM Class	EC001959
Numéro virtuel FI	4741233
Warranty	5 ans

Données optiques

Useful luminous flux (Φuse)	360
Température de couleur (K)	6500
Couleur de lumière	Daylight
IRC (Ra)	90
Colour Variation Initial (SDCM)	SDCM6
Luminous Intensity (cd)	650
Beam Angle (°)	36
Photobiological Risk Group	RG1

Caractéristiques électriques

Power consumption (W)	3.7
Wattage (W)	3.7
Equivalent watt (W)	50
Actuel (A)	0.04
Primary Supply/Product voltage - min (V)	220.0
Primary Supply/Product voltage - max (V)	240.0
Control gear required	No
Type d'appareillage	LED driver constant current
No. Of switching cycles before premature failures	>50000
Dimmable	No
Dimming method	N/A
Courant d'appel (A)	5
Inrush Duration (µs)	145
Lamp Energy Label (class)	E
Nominal Frequency (Hz)	50/60Hz

Durée de vie

Lifespan L70 B50	25000
------------------	-------

Données physiques

Housing colour	Transparent
IP rating	IP20
Nominal Product Height (mm)	54
Nominal Product Diameter (mm)	50
Poids (kg)	0.038

REFLED SUPERIA RETRO ES50 V5 360LM 965 36 SL

Code article 0030709

SYLVANIA

Emballage

Product EAN number	5410288307091
Longueur simple de l'emballage (cm)	8.2
Largeur simple de l'emballage (cm)	6.1
Packaging single depth (cm)	5.1
DUN14 (inner)	15410288307098
Units per inner package	6
Packaging inner length / height (cm)	19.4
Packaging inner width (cm)	11.1
Packaging inner depth (cm)	9.2
DUN14 (outer)	25410288307095
Units per outer package	60
Packaging outer length / height (cm)	58.5
Packaging outer width (cm)	20.8
Packaging outer depth (cm)	20.8

Sécurité

Condition de fonctionnement optimal (° C)	-20-50
Consignes de nettoyage en cas de bris	Not applicable
Lampe à objectif spécial	No
Utilisation pour applications sèches uniquement	Yes
Ne convient pas à l'éclairage résidentiel	Yes
Safety message	Dimmable with approved dimmers