

Signify

OCC-DL IA WH 8M

MPS3100/05



Installation instructions

Instructions d'installation

Instrucciones de instalación

Istruzioni per l'installazione

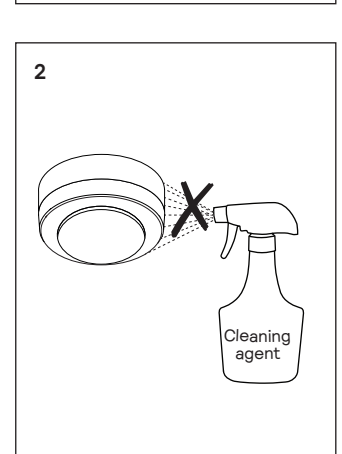
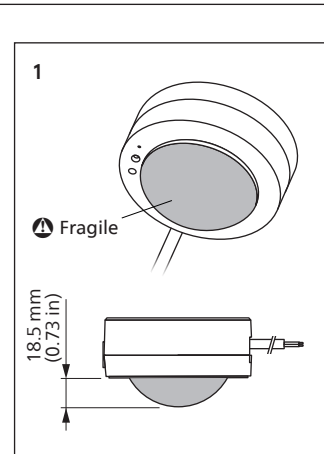
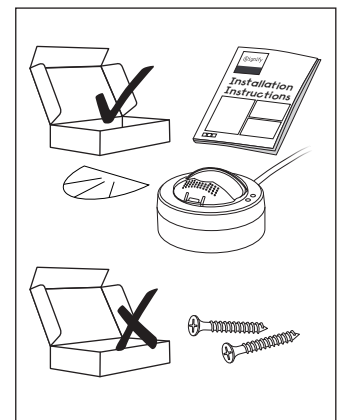
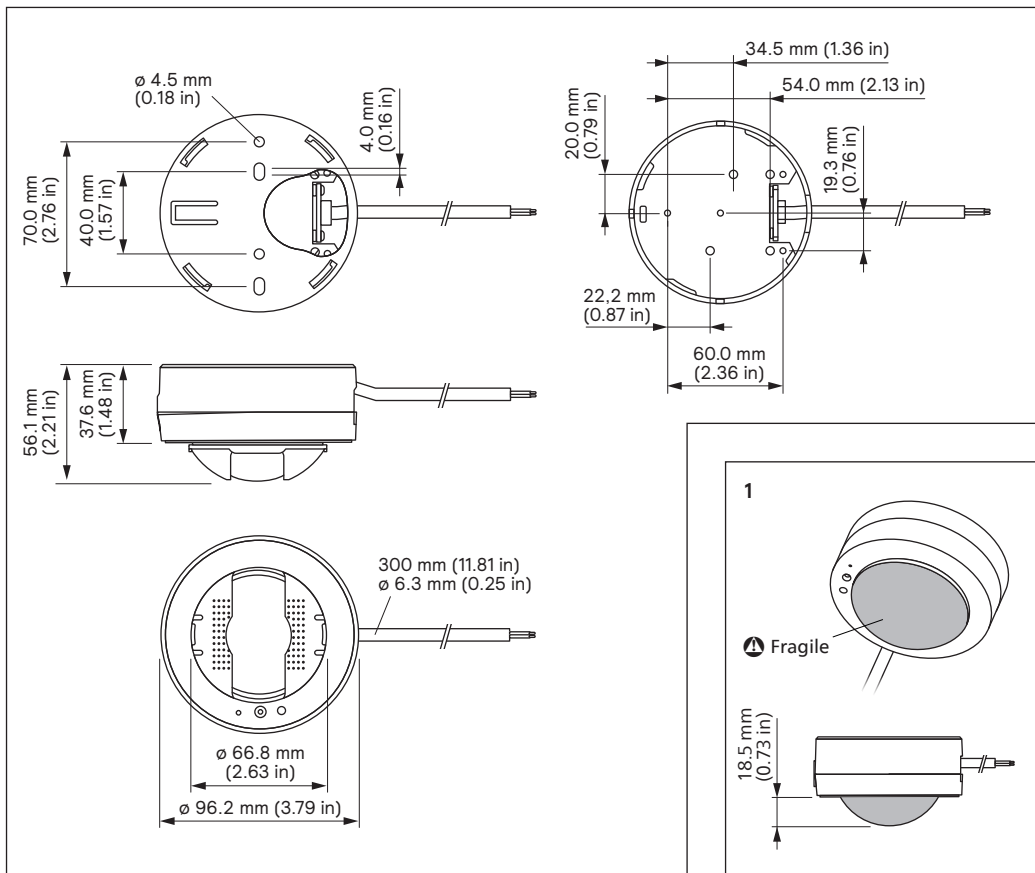
Installatie-instructies

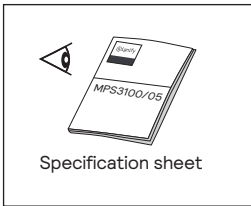
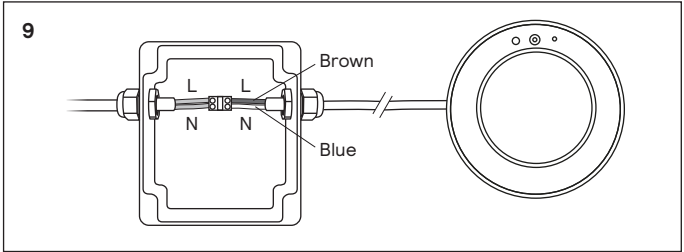
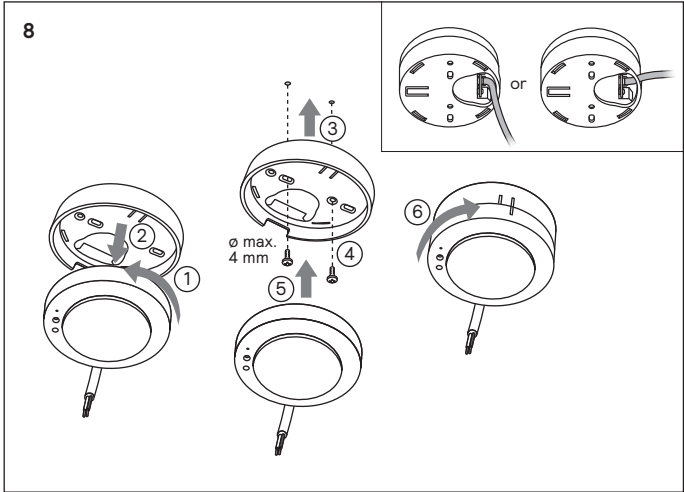
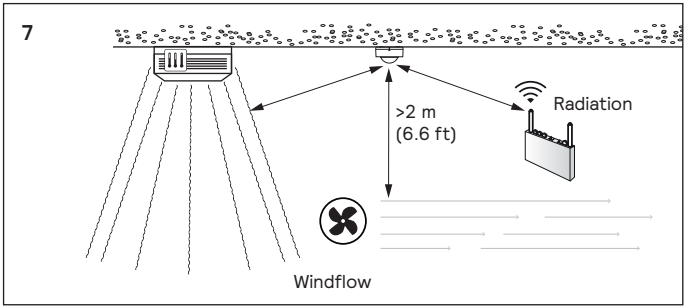
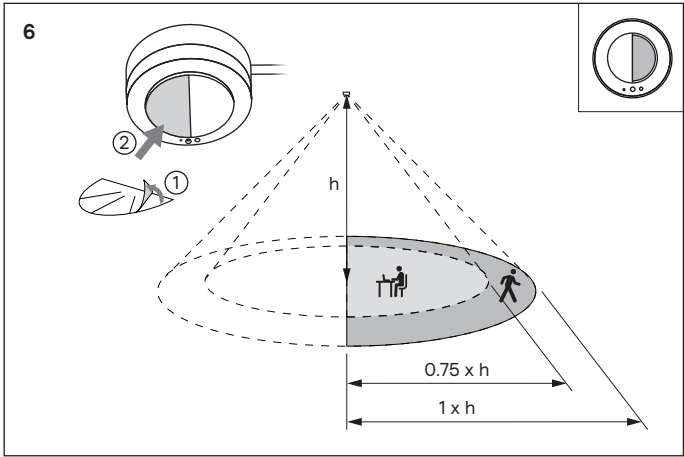
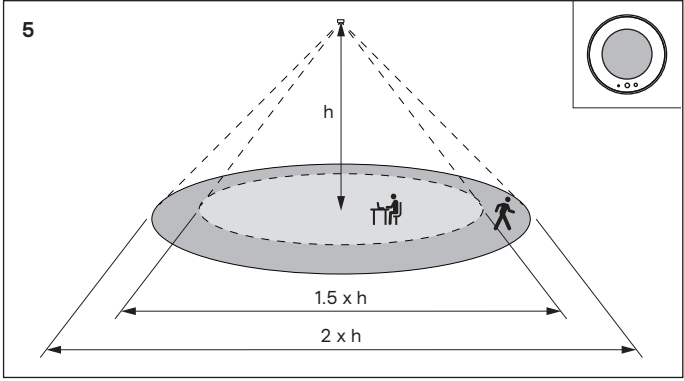
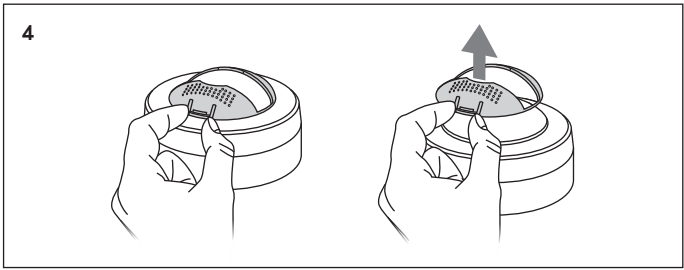
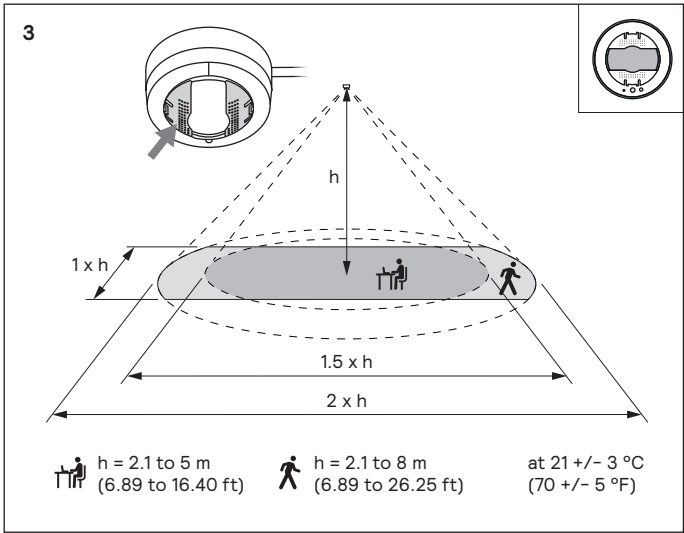
Installationsanweisungen

インストール手順

安裝指示书

بی‌فرتل تاداشر!





Note
 RF Exposure Information
 This device meets the EU requirements (2014/53/EU) on the limitation of exposure of the general public to electromagnetic fields by way of health protection. The device complies with RF specifications when the device is used at 20 cm from your body.

Warning
 Do not use any chemical cleaning agents on the MPS3100/05.

Hereby, Signify declares that the radio equipment type MPS3100/05 is in compliance with Directive 2014/53/EU. The full text of the EU declaration of conformity is available at the following Internet address: www.signify.com/red



© 2024–2025 Signify Holding. All rights reserved. The information provided herein is subject to change, without notice. Signify does not give any representation or warranty as to the accuracy or completeness of the information included herein and shall not be liable for any action in reliance thereon. The information presented in this document is not intended as any commercial offer and does not form part of any quotation or contract, unless otherwise agreed by Signify. All trademarks are owned by Signify Holding or their respective owners.

UK importer address:
 Signify Commercial UK Limited
 3, Guildford Business Park, GU2 8XG

