

SYLCIRCLE IP54 1550LM 830/840 DUALTONE

Code article 0043498

SYLVANIA

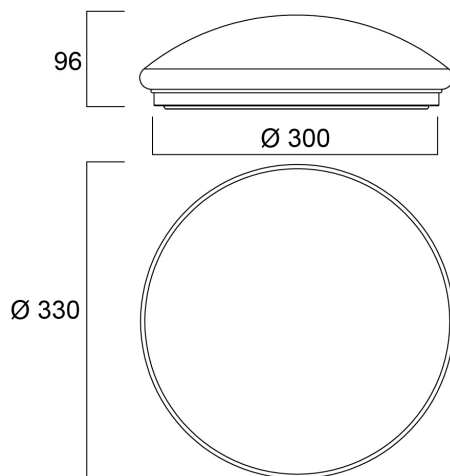
YourHome™



Ceiling / wall luminaire with integrated LED. Perfect solution for hallways, circulation spaces or foyer. Even and uniform light distribution with a halo lighting effect on the wall surface. Body Size diameter 330mm. Besa mounting box compatible, hole distance 51mm. DualTone functionality enables switch between 3000K and 4000K colour temperatures. Power 18W, output 1550 lumens (4000k). Non-dimmable. IK03, IP44. Low maintenance with 30,000 hours LED life expectancy.

Atouts techniques

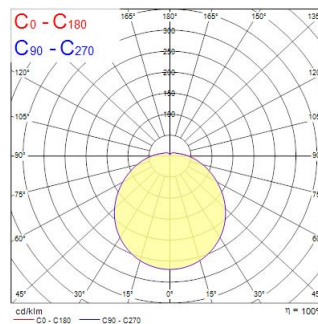
Dimensions (mm)



Photométrie

Distance [m]	Cone diameter [m]	Illuminance [lx]
0.5	1.68 1.68	5071 5190 5310
1.0	3.37 3.38	1268 1298 1328
1.5	5.05 5.07	545 556 567
2.0	6.74 6.76	311 316 321
2.5	8.42 8.46	195 199 203
3.0	10.11 10.15	146 149 152

Distance [m] Cone diameter [m] Illuminance [lx]
 — C0 - C180 (Half beam angle: 118.0°)
 — C90 - C270 (Half beam angle: 118.0°)



SYLCIRCLE IP54 1550LM 830/840 DUALTONE

Code article 0043498

SYLVANIA

Données générales

Nom du produit	SYLCIRCLE IP54 1550LM 830/840 DUALTONE
Technologie	LED
Cap/Base	N/A
Housing	Steel
Montage	Ceiling surface mounting
Built in presence detector	NONE
General application	Hospitality
Operating temperature range (°C)	-20°C...+40°C
Performance ambient temperature Tq (°C)	25
Virtual assistant compatibility	N/A
ETIM Class	EC002892
Warranty	3 ans

Données optiques

Fixture luminous flux (lm)	1550
Luminaire efficacy (lm/W)	85
Couleur de lumière	Amber White or Neutral White
IRC (Ra)	80
Colour Variation Initial (SDCM)	SDCM6
Beam Angle (°)	120
Distribution type	Diffuse
Photobiological Risk Group	RG0

Caractéristiques électriques

Consommation électrique totale (W)	18
Primary Supply/Product voltage - min (V)	220
Primary Supply/Product voltage - max (V)	240
Lamp power factor	0.8
THD (at 230 V, 50 Hz, full load, at 100% dimming level) ≤ xx.x %	70
Electrical protection	Class I
Type d'appareillage	LED driver constant current
Dimmable	No
Dimming method	N/A
Drive current (mA)	57
Courant d'appel (A)	0.5
Inrush Duration (µs)	30
Energy Efficiency Class (A->G) of contained light source	E
Nominal Frequency (Hz)	50/60Hz
LED Flickering Rate	High (>40%)
Max. products per 10A C Breaker	39
Max. products per 13A C Breaker	51
Max. products per 16A C Breaker	62
Max. products per 20A C Breaker	78
Max. products per 10A B Breaker	36
Max. products per 13A B Breaker	47
Max. products per 16A B Breaker	58
Max. products per 20A B Breaker	72
Connectable conductor cross section - Min (mm ²)	1
Connectable conductor cross section - Max (mm ²)	2.5

Durée de vie

Lifespan L70 B50 | 30000

SYLCIRCLE IP54 1550LM 830/840 DUALTONE

Code article 0043498

SYLVANIA

Données physiques

Housing colour	White
IP rating	IP54
IK rating	IK03
Diffuser finish	Opal
Diffuser material	Polypropylene
Nominal Product Height (mm)	96
Nominal Product Diameter (mm)	330
Poids (kg)	0.52

Emballage

Product EAN number	5410288434988
Longueur simple de l'emballage (cm)	33.2
Largeur simple de l'emballage (cm)	9.9
Packaging single depth (cm)	33.2
DUN14 (inner)	15410288434985
Units per outer package	6
Packaging outer length / height (cm)	64.2
Packaging outer width (cm)	36.5
Packaging outer depth (cm)	37.0

Sécurité

Glow Wire Test (°C)	650
Condition de fonctionnement optimal (° C)	-20-40