

# START SURFACE IP66 2500LM 840 IK10 DALI BLK

Code article 0049256

**SYLVANIA**

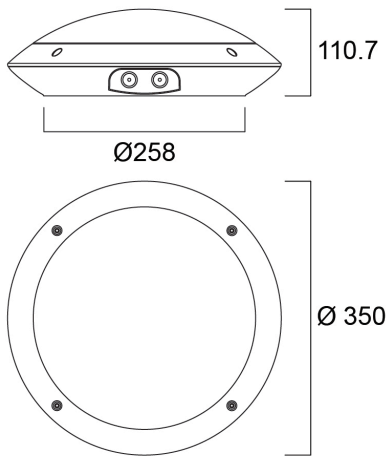
**START**<sup>TM</sup>



LED exterior surface mounted luminaire, 350mm diameter, 2500lm as max. lumen output, 26W max. power consumption, 96lm/W efficacy, 4000K color temperature, CRI80, IP66, IK10, 60,000 hours (L70), black housing, vandal resistant. DALI and DALI 2 dimming compatibility, supplied with anti-theft screws

## Atouts techniques

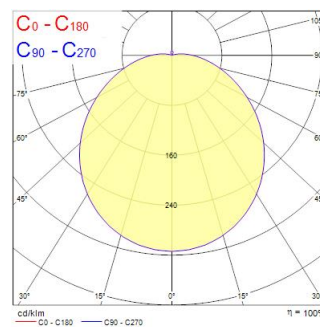
### Dimensions (mm)



### Photométrie

Distance [m]	Cone diameter [m]	E10%	E50%	E90%	Illuminance [lx]
0.5	1.52	517	500	483	327
1.0	3.03	517	500	483	81
1.5	4.55	517	500	483	35
2.0	6.07	517	500	483	17
2.5	7.58	517	500	483	11
3.0	9.10	517	500	483	7

Distance [m] Cone diameter [m]  
 — C0 - C180 (Half beam angle: 113.2°)  
 — C90 - C270



# START SURFACE IP66 2500LM 840 IK10 DALI BLK

Code article 0049256

**SYLVANIA**

## Données générales

Nom du produit	START SURFACE IP66 2500LM 840 IK10 DALI BLK
Technologie	LED
Cap/Base	N/A
Housing	PC Polycarbonate
Montage	Ceiling surface mounting, Wall surface mounted
Built in presence detector	NONE
Environment	Indoor, Outdoor
General application	Hospitality
Operating temperature range (°C)	0°C...+40°C
Performance ambient temperature Tq (°C)	25
ETIM Class	EC002892
Numéro virtuel FI	4579494
Warranty	5 ans

## Données optiques

Fixture luminous flux (lm)	2500
Luminaire efficacy (lm/W)	96
LOR (%)	100
Température de couleur (K)	4000
Colour Code	840
Couleur de lumière	Neutral White
IRC (Ra)	80
Colour Variation Initial (SDCM)	SDCM6
Chromaticité réglable	N
Beam Angle (°)	120
Glare control	< 26
Photobiological Risk Group	RG0
Maintien du flux à la fin de la durée de vie nominale (lm)	70

## Caractéristiques électriques

Consommation électrique totale (W)	26
Primary Supply/Product voltage - min (V)	220.0
Primary Supply/Product voltage - max (V)	240.0
Lamp power factor	1
Electrical protection	Class II
Control gear required	No
Type d'appareillage	LED driver constant current
Montage de l'appareillage	Integrated
Dimmable	Yes
Dimming method	DALI-2
Minimum dimming level (%)	1
Drive current (mA)	700
Courant d'appel (A)	5
Inrush Duration (µs)	50
Energy Efficiency Class (A->G) of contained light source	D
Nominal Frequency (Hz)	50/60Hz
LED Flickering Rate	Ultra low (5% or less)
Max. products per 10A C Breaker	52
Max. products per 13A C Breaker	68
Max. products per 16A C Breaker	85
Max. products per 20A C Breaker	104
Max. products per 10A B Breaker	31
Max. products per 13A B Breaker	40
Max. products per 16A B Breaker	50
Max. products per 20A B Breaker	62
Connectable conductor cross section - Min (mm <sup>2</sup> )	0.75
Connectable conductor cross section - Max (mm <sup>2</sup> )	2.5

# START SURFACE IP66 2500LM 840 IK10 DALI BLK

Code article 0049256

**SYLVANIA**

## Durée de vie

Lifespan L70 B50	60000
Lifespan L70 B10	60000
Lifespan L80 B50	60000
Lifespan L80 B10	60000
Lifespan L90 B50	42000
Lifespan L90 B10	35000

## Données physiques

Housing colour	RAL 9011 - Graphite black
IP rating	IP66
IK rating	IK10
Diffuser finish	Opal
Diffuser material	PC Polycarbonate
Nominal Product Height (mm)	111
Nominal Product Diameter (mm)	350
Poids (kg)	1.2

## Emballage

Product EAN number	5410288492568
Longueur simple de l'emballage (cm)	40.0
Largeur simple de l'emballage (cm)	40.0
Packaging single depth (cm)	11.0
DUN14 (inner)	05410288492568
Units per outer package	1
Packaging outer length / height (cm)	40.0
Packaging outer width (cm)	40.0
Packaging outer depth (cm)	11.0