

START SURFACE IP66 2400LM 830 IK10 DALI BLK

Code article 0049255

SYLVANIA

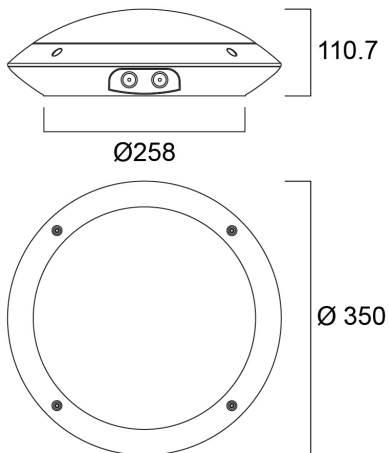
STARTTM



LED exterior surface mounted luminaire, 350mm diameter, 2400lm as max. lumen output, 26W max. power consumption, 92lm/W efficacy, 3000K color temperature, CRI80, IP66, IK10, 60,000 hours (L70), black housing, vandal resistant. DALI and DALI 2 dimming compatibility, supplied with anti-theft screws

Atouts techniques

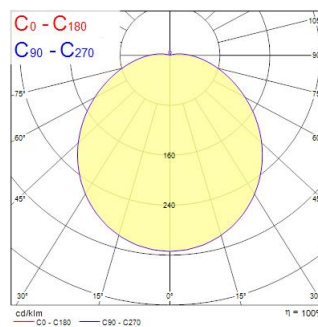
Dimensions (mm)



Photométrie

| Distance [m] | Cone diameter [m] | E10% | E50% | E90% | Illuminance [lx] |
|--------------|-------------------|------|------|------|------------------|
| 0.5 | 1.52 | 5171 | 500% | 368° | 3276 |
| 1.0 | 3.03 | 5171 | 500% | 368° | 789 |
| 1.5 | 4.55 | 5171 | 500% | 368° | 342 |
| 2.0 | 6.07 | 5171 | 500% | 368° | 182 |
| 2.5 | 7.58 | 5171 | 500% | 368° | 123 |
| 3.0 | 9.10 | 5171 | 500% | 368° | 87 |

Distance [m] Cone diameter [m]
 — C0 - C180 (Half beam angle: 113.2°)
 Illuminance [lx]



START SURFACE IP66 2400LM 830 IK10 DALI BLK

Code article 0049255

SYLVANIA

Données générales

| | |
|---|--|
| Nom du produit | START SURFACE IP66 2400LM 830 IK10 DALI BLK |
| Technologie | LED |
| Cap/Base | N/A |
| Housing | PC Polycarbonate |
| Montage | Ceiling surface mounting, Wall surface mounted |
| Built in presence detector | NONE |
| Environment | Indoor, Outdoor |
| General application | Hospitality |
| Operating temperature range (°C) | 0°C...+40°C |
| Performance ambient temperature Tq (°C) | 25 |
| ETIM Class | EC002892 |
| Numéro virtuel FI | 4579493 |
| Warranty | 5 ans |

Données optiques

| | |
|--|------------|
| Fixture luminous flux (lm) | 2400 |
| Luminaire efficacy (lm/W) | 92 |
| LOR (%) | 100 |
| Température de couleur (K) | 3000 |
| Colour Code | 830 |
| Couleur de lumière | Warm White |
| IRC (Ra) | 80 |
| Colour Variation Initial (SDCM) | SDCM6 |
| Chromaticité réglable | N |
| Beam Angle (°) | 120 |
| Glare control | < 26 |
| Photobiological Risk Group | RG0 |
| Maintien du flux à la fin de la durée de vie nominale (lm) | 70 |

Caractéristiques électriques

| | |
|--|--------------------------------|
| Consommation électrique totale (W) | 26 |
| Primary Supply/Product voltage - min (V) | 198.0 |
| Primary Supply/Product voltage - max (V) | 264.0 |
| Lamp power factor | 1 |
| Electrical protection | Class II |
| Control gear required | No |
| Type d'appareillage | LED driver constant current |
| Montage de l'appareillage | Integrated |
| Dimmable | Yes |
| Dimming method | DALI-2 |
| Minimum dimming level (%) | 1 |
| Drive current (mA) | 700 |
| Courant d'appel (A) | 5 |
| Inrush Duration (µs) | 50 |
| Energy Efficiency Class (A->G) of contained light source | E |
| Nominal Frequency (Hz) | 50/60Hz |
| LED Flickering Rate | Ultra low (5% or less) |
| Max. products per 10A C Breaker | 52 |
| Max. products per 13A C Breaker | 68 |
| Max. products per 16A C Breaker | 85 |
| Max. products per 20A C Breaker | 104 |
| Max. products per 10A B Breaker | 31 |
| Max. products per 13A B Breaker | 40 |
| Max. products per 16A B Breaker | 50 |
| Max. products per 20A B Breaker | 62 |
| Connectable conductor cross section - Min (mm ²) | 0.75 |
| Connectable conductor cross section - Max (mm ²) | 2.5 |

START SURFACE IP66 2400LM 830 IK10 DALI BLK

Code article 0049255

SYLVANIA

Durée de vie

| | |
|------------------|-------|
| Lifespan L70 B50 | 60000 |
| Lifespan L70 B10 | 60000 |
| Lifespan L80 B50 | 60000 |
| Lifespan L80 B10 | 60000 |
| Lifespan L90 B50 | 42000 |
| Lifespan L90 B10 | 35000 |

Données physiques

| | |
|-------------------------------|---------------------------|
| Housing colour | RAL 9011 - Graphite black |
| IP rating | IP66 |
| IK rating | IK10 |
| Diffuser finish | Opal |
| Diffuser material | PC Polycarbonate |
| Nominal Product Height (mm) | 111 |
| Nominal Product Diameter (mm) | 350 |
| Poids (kg) | 1.2 |

Emballage

| | |
|--------------------------------------|----------------|
| Product EAN number | 5410288492551 |
| Longueur simple de l'emballage (cm) | 40.0 |
| Largeur simple de l'emballage (cm) | 40.0 |
| Packaging single depth (cm) | 11.0 |
| DUN14 (inner) | 05410288492551 |
| Units per outer package | 1 |
| Packaging outer length / height (cm) | 40.0 |
| Packaging outer width (cm) | 40.0 |
| Packaging outer depth (cm) | 11.0 |