

Indoor cable-type current transformer

Model XH-SCT--T16

Applicable Standard

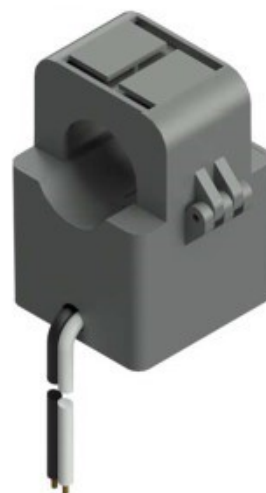
- **Voltage level:** 0.4/0.66/0.72KV;
- **Withstand voltage level:** 2KV/1mA/1Min;
- **Rated frequency:** 50/60HZ;
- **Operating temperature:** -40°C~ 55°C;
- **CE & UKCA certification:**

Compliant with EN 61869-1 and EN 61869-2 for low voltage directive;

Compliant with EN 61000-6-3 and EN IEC 61000-6-1 electromagnetic compatibility;

- **UL certification:**

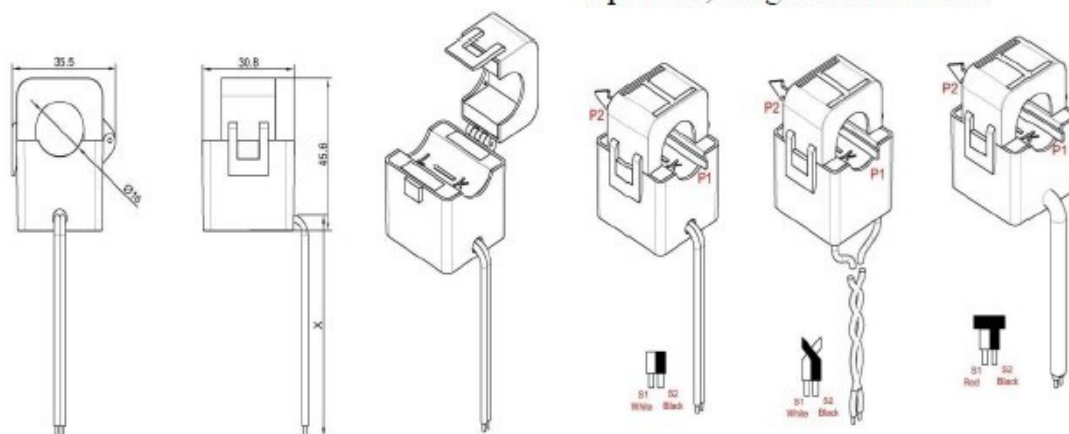
E341727, reference standard: IEEE C57.13, CAN/CSA-C61869-1, CAN/CSA C61869-2.



Applicable Scenario

- For indoor use;
- Applicable cable specifications: $\phi 16\text{mm}$;
- Applicable primary current: 50-120A;
- Applicable secondary current: mA/mV;
- Nylon material housing, according to UL94-V0 grade;
- Applicable for wire output, black and white double-wire, black and white stranded wire and sheathed wire optional, length customized.

Reference Dimension



Reference Performance

Model	XH-SCT-T16-120A/0.5V
Ratio	120A/0.5V
Current range	1.2-120A
Maximum current	144A
Over-voltage protection	6.8V or 12V
Rated phase error	+1.5±1°
Rated ratio error	-1±1%