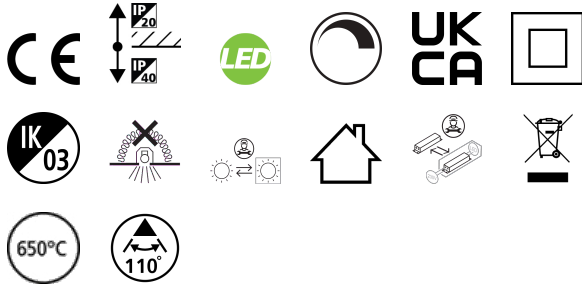


# START Panel 625x625 HE DALI 4100Lm 830

Code article 0042887

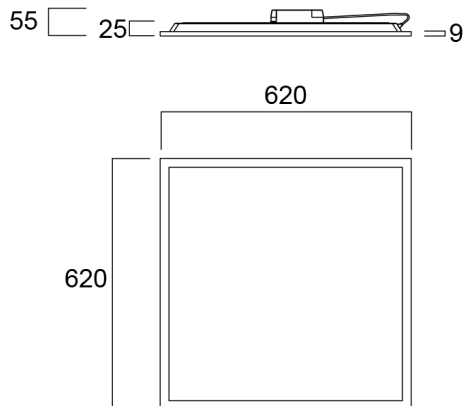
**SYLVANIA**



LED Panel with backlit technology, ideal for general indoor lighting applications such as breakout areas, offices and meeting rooms. Extruded aluminium frame, passive cooling. Low glaring UGR<22. RG0, 110 degree beam angle, optical system: PS diffuser with Opal finish. Light color temperature: 6500K Warm White, total system power: 34W, total fixture output: 4100lm, efficacy: 121 lm/W, Ra80 typical, LED chromacity: 3 step MacAdam ellipse (SDCM3), lifespan: 100,000 hours at 70% of the original output (L70B50), IR/UV free light source without heat radiation, operating voltage: 220-240V / 50-60Hz, low flicker, DALI dimmable driver, electrical protection: Class II. Degree of Protection: IP40/IP20, suitable for indoor environment only. Nominal size: 620x620mm, safety cables included, 25mm nominal height, White color frame, weight: 1,8Kg.

## Atouts techniques

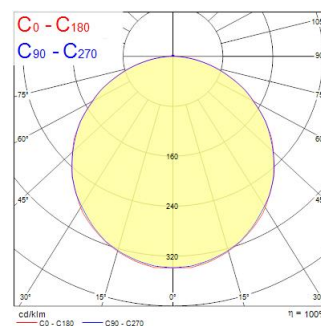
### Dimensions (mm)



### Photométrie

Distance [m]	Cone diameter [m]	E10%	E50%	E90%	Illuminance [lx]
0,5	1,53	50%	50%	56,9°	5480 458
1,0	3,07	50%	50%	56,9°	1371 112
1,5	4,60	50%	50%	56,9°	609 61
2,0	6,14	50%	50%	56,9°	343 28
2,5	7,67	50%	50%	56,9°	219 18
3,0	9,20	50%	50%	56,9°	162 13

Distance [m] Cone diameter [m] Illuminance [lx]  
 — C0 - C180 (Half beam angle: 113,8°)



# START Panel 625x625 HE DALI 4100Lm 830

Code article 0042887

**SYLVANIA**

## Données générales

Nom du produit	START Panel 625x625 HE DALI 4100Lm 830
Technologie	LED
Cap/Base	N/A
Housing	Aluminium, Steel
Montage	Ceiling recessed mounting
Built in presence detector	NONE
General application	Education, Office
Operating temperature range (°C)	-10°C...+45°C
Performance ambient temperature Tq (°C)	25
Virtual assistant compatibility	N/A
ETIM Class	EC002892
Warranty	5 ans

## Données optiques

Fixture luminous flux (lm)	4100
Luminaire efficacy (lm/W)	121
Température de couleur (K)	3000
Couleur de lumière	Warm White
IRC (Ra)	80
Colour Variation Initial (SDCM)	SDCM3
Beam Angle (°)	110
Distribution type	Symmetric
Glare control	< 22
Photobiological Risk Group	RG0

## Caractéristiques électriques

Consommation électrique totale (W)	34
Primary Supply/Product voltage - min (V)	220
Primary Supply/Product voltage - max (V)	240
Lamp power factor	0.9
THD (at 230 V, 50 Hz, full load, at 100% dimming level) ≤ xx.x %	20.0
Electrical protection	Class II
Type d'appareillage	LED driver constant current
Dimmable	Yes
Dimming method	DALI
Drive current (mA)	900
Energy Efficiency Class (A->G) of contained light source	D
Nominal Frequency (Hz)	50/60Hz
LED Flickering Rate	Ultra low (5% or less)
Max. products per 10A C Breaker	51
Max. products per 13A C Breaker	66
Max. products per 16A C Breaker	81
Max. products per 20A C Breaker	102
Max. products per 10A B Breaker	33
Max. products per 13A B Breaker	43
Max. products per 16A B Breaker	54
Max. products per 20A B Breaker	68
Connectable conductor cross section - Max (mm <sup>2</sup> )	1.5

## Durée de vie

Lifespan L70 B50	100000
Lifespan L80 B20	71000

# START Panel 625x625 HE DALI 4100Lm 830

Code article 0042887

**SYLVANIA**

## Données physiques

Housing colour	RAL 9003 - Signal white
IP rating	IP40/20
IK rating	IK03
Diffuser finish	Diffuse
Diffuser material	Other
Longueur (mm)	620
Largeur (mm)	620
Nominal Product Height (mm)	25
Poids (kg)	1.77

## Emballage

Product EAN number	5410288428871
Longueur simple de l'emballage (cm)	62.5
Largeur simple de l'emballage (cm)	67.5
Packaging single depth (cm)	3.8
DUN14 (inner)	15410288428878
Units per outer package	4
Packaging outer length / height (cm)	72.0
Packaging outer width (cm)	67.0
Packaging outer depth (cm)	17.0

## Sécurité

Glow Wire Test (°C)	650
Condition de fonctionnement optimal (° C)	-10-45