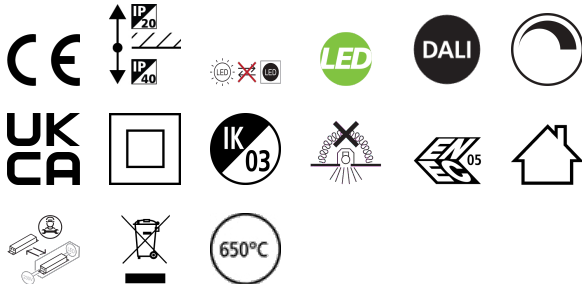


START Panel UGR19 1200x300 DALI 3800lm 840

Code article 0044631

SYLVANIA

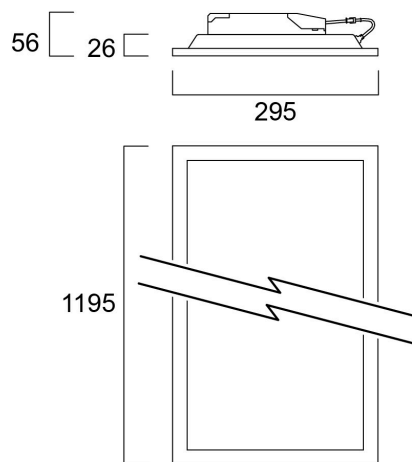
STARTTM



LED Panel with backlit technology, ideal for general indoor lighting applications such as breakout areas, offices and meeting rooms. Extruded aluminium frame, passive cooling. Low glaring UGR<19. RG0, 90 degree beam angle , optical system: PS diffuser with Prismatic finish. Light color temperature: 4000K Neutral White, total system power: 29W , total fixture output: 3800lm, efficacy: 131 lm/W, Ra80 typical, LED chromacity: 3 step MacAdam ellipse (SDCM3), lifespan: 100,000 hours at 70% of the original output (L70B50), IR/UV free light source without heat radiation, operating voltage: 220-240V / 50-60Hz, low flicker, DALI dimmable driver, electrical protection: Class II. Degree of Protection: IP40/IP20, suitable for indoor environment only. Nominal size: 1195x295mm, Loop in / loop out wiring, safety cables & quick connector included, 26mm nominal height, White color frame, weight: 1,97Kg.

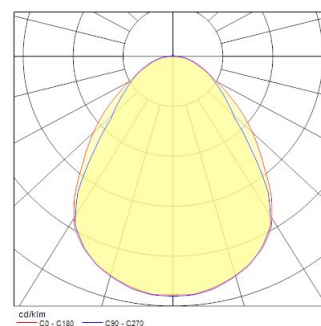
Atouts techniques

Dimensions (mm)



Photométrie

Distance [m]	Cone diameter [m]	Beam angle [°]	Beam diameter [m]	Illuminance [lx]
0.5	0.85 0.97	80°	42"	720
		80°	42"	1532
		80°	42"	1534
1.0	1.68 1.94	80°	42"	1815
		80°	42"	408
		80°	42"	338
1.5	2.54 2.92	80°	42"	807
		80°	42"	181
		80°	42"	149
2.0	3.38 3.89	80°	42"	454
		80°	42"	103
		80°	42"	84
2.5	4.23 4.86	80°	42"	290
		80°	42"	66
		80°	42"	54
3.0	5.07 5.83	80°	42"	202
		80°	42"	47
		80°	42"	37



START Panel UGR19 1200x300 DALI 3800lm 840

Code article 0044631

SYLVANIA

Données générales

Nom du produit	START Panel UGR19 1200x300 DALI 3800lm 840
Technologie	LED
Cap/Base	N/A
Housing	Steel
Montage	Ceiling recessed mounting, Suspended
Built in presence detector	NONE
General application	Education, Office
Operating temperature range (°C)	-10°C...+45°C
Virtual assistant compatibility	N/A
ETIM Class	EC002892
Numéro virtuel FI	4279399
Warranty	5 ans

Données optiques

Fixture luminous flux (lm)	3800
Luminaire efficacy (lm/W)	131
Température de couleur (K)	4000
Couleur de lumière	Neutral White
IRC (Ra)	80
Colour Variation Initial (SDCM)	SDCM3
Beam Angle (°)	90
Distribution type	Symmetric
Glare control	< 19
Photobiological Risk Group	RG0

Caractéristiques électriques

Consommation électrique totale (W)	29
Primary Supply/Product voltage - min (V)	220.0
Primary Supply/Product voltage - max (V)	240.0
Lamp power factor	0.9
THD (at 230 V, 50 Hz, full load, at 100% dimming level) ≤ xx.x %	15.0
Electrical protection	Class II
Type d'appareillage	LED driver constant current
Dimmable	Yes
Dimming method	DALI-2
Drive current (mA)	700
Courant d'appel (A)	5.6
Inrush Duration (µs)	50
Energy Efficiency Class (A->G) of contained light source	D
Nominal Frequency (Hz)	50/60Hz
LED Flickering Rate	Ultra low (5% or less)
Max. products per 10A C Breaker	37
Max. products per 16A C Breaker	59
Max. products per 10A B Breaker	37
Max. products per 16A B Breaker	59
Connectable conductor cross section - Max (mm ²)	1.5

Durée de vie

Lifespan L70 B50	100000
Lifespan L70 B20	100000
Lifespan L70 B10	100000
Lifespan L80 B50	94000
Lifespan L80 B20	76000
Lifespan L80 B10	67000
Lifespan L90 B50	45000
Lifespan L90 B20	37000
Lifespan L90 B10	33000

START Panel UGR19 1200x300 DALI 3800lm 840

Code article 0044631

SYLVANIA

Données physiques

Housing colour	RAL 9003 - Signal white
IP rating	IP40/20
IK rating	IK03
Diffuser finish	Diffuse
Diffuser material	PS Polystyrene
Longueur (mm)	1195
Largeur (mm)	295
Nominal Product Height (mm)	26
Poids (kg)	1.971

Emballage

Product EAN number	5410288446318
Longueur simple de l'emballage (cm)	121.7
Largeur simple de l'emballage (cm)	3.8
Packaging single depth (cm)	38.7
DUN14 (inner)	15410288446315
Units per outer package	4
Packaging outer length / height (cm)	124.2
Packaging outer width (cm)	17.8
Packaging outer depth (cm)	42.0

Sécurité

Glow Wire Test (°C)	650
Condition de fonctionnement optimal (° C)	-10-45