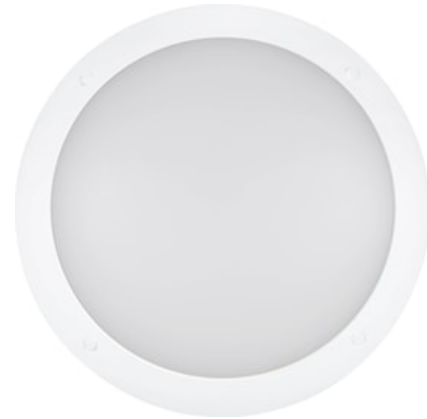


START SURFACE IP66 1450LM 830 MW SENS IK10 WHT

Code article 0098598

SYLVANIA

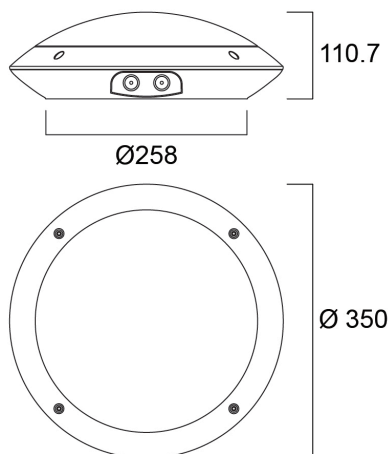
STARTTM



Sensor Dim LED exterior surface mounted luminaire, 350mm diameter, 1450lm as max. lumen output, can be adjusted down to 1400lm by internal switch, 14W max. power consumption, 104lm/W efficacy, 3000K color temperature, CRI80, IP66, IK10, 50,000 hours (L70), white housing, vandal resistant. Integrated Microwave occupancy sensor with daylight harvest, dimming and corridor function, supplied with anti-theft screws

Atouts techniques

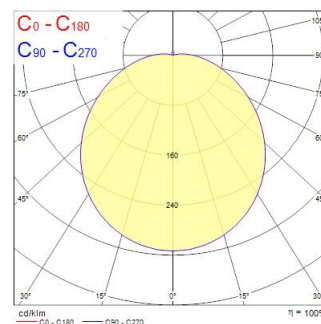
Dimensions (mm)



Photométrie

Distance (m)	Cone diameter (m)	Beam diameter (m)	Illuminance (lx)
0.5	1.52	Ø171	1630
1.0	3.04	Ø342	407
1.5	4.57	Ø513	181
2.0	6.09	Ø684	102
2.5	7.61	Ø855	65
3.0	9.13	Ø1026	46

Distance (m) Cone diameter (m) Illuminance (lx)
 — C0 - C180 (Half beam angle: 113.4°)



START SURFACE IP66 1450LM 830 MW SENS IK10 WHT

Code article 0098598

SYLVANIA

Données générales

Nom du produit	START SURFACE IP66 1450LM 830 MW SENS IK10 WHT
Technologie	LED
Cap/Base	N/A
Housing	PC Polycarbonate
Montage	Ceiling surface mounting, Wall surface mounted
Built in presence detector	MICROWAVE
Environment	Indoor, Outdoor
General application	Hospitality
Operating temperature range (°C)	25°C...+25°C
Performance ambient temperature Tq (°C)	25
Virtual assistant compatibility	N/A
ETIM Class	EC002892
Warranty	5 ans

Données optiques

Fixture luminous flux (lm)	1450
Luminaire efficacy (lm/W)	104
LOR (%)	100
Température de couleur (K)	3000
Colour Code	830
Couleur de lumière	Warm White
IRC (Ra)	80
Colour Variation Initial (SDCM)	SDCM6
Chromaticité réglable	N
Beam Angle (°)	120
Distribution type	Symmetric
Glare control	< 25
Photobiological Risk Group	RG0
Maintien du flux à la fin de la durée de vie nominale (lm)	70

Caractéristiques électriques

Consommation électrique totale (W)	14
Primary Supply/Product voltage - min (V)	198.0
Primary Supply/Product voltage - max (V)	264.0
Lamp power factor	1
THD (at 230 V, 50 Hz, full load, at 100% dimming level) ≤ xx.x %	1
Electrical protection	Class II
Control gear required	No
Type d'appareillage	LED driver constant current
Montage de l'appareillage	Integrated
Dimmable	Yes
Dimming method	Other
Drive current (mA)	350
Courant d'appel (A)	45
Inrush Duration (µs)	32
Energy Efficiency Class (A->G) of contained light source	D
Nominal Frequency (Hz)	50/60Hz
LED Flickering Rate	Ultra low (5% or less)
Max. products per 10A C Breaker	45
Max. products per 13A C Breaker	58
Max. products per 16A C Breaker	72
Max. products per 20A C Breaker	90
Max. products per 10A B Breaker	22
Max. products per 13A B Breaker	35
Max. products per 16A B Breaker	43
Max. products per 20A B Breaker	53
Connectable conductor cross section - Min (mm ²)	0.75
Connectable conductor cross section - Max (mm ²)	2.5

Durée de vie

Lifespan L70 B50 | 50000

START SURFACE IP66 1450LM 830 MW SENS IK10 WHT

Code article 0098598

SYLVANIA

Données physiques

Housing colour	RAL 9003 - Signal white
IP rating	IP66
IK rating	IK10
Diffuser finish	Opal
Diffuser material	PC Polycarbonate
Nominal Product Height (mm)	111
Nominal Product Diameter (mm)	350
Poids (kg)	1.1

Emballage

Product EAN number	5410288985985
Longueur simple de l'emballage (cm)	40.0
Largeur simple de l'emballage (cm)	40.0
Packaging single depth (cm)	11.0
DUN14 (inner)	05410288985985
Units per outer package	1
Packaging outer length / height (cm)	40.0
Packaging outer width (cm)	40.0
Packaging outer depth (cm)	11.0

Sécurité

Glow Wire Test (°C)	650
Condition de fonctionnement optimal (° C)	25-25