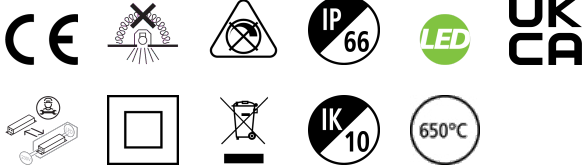


START SURFACE IP66 1250LM 840 IK10 BLK

Code article 0049927

SYLVANIA

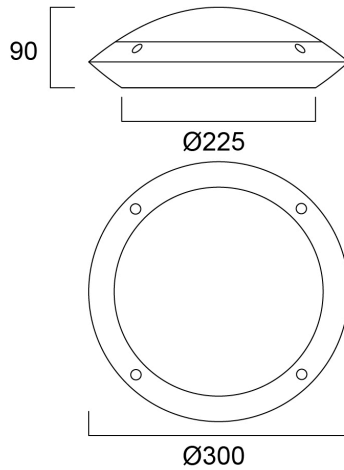
STARTTM



LED exterior surface mounted luminaire, 1250lm, 12W power consumption, 104lm/W efficacy, 4000K color temperature, CRI80, non-dimmable, IP66, IK10, 90,000 hours (L70B50) Lifespan, black housing, vandal resistant, supplied with anti-theft screws

Atouts techniques

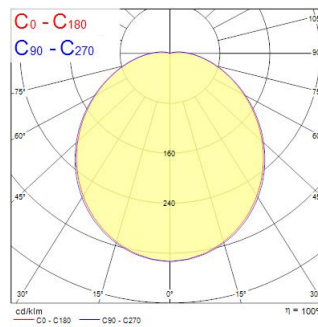
Dimensions (mm)



Photométrie

Distance [m]	Cone diameter [m]	Beam angle [°]	Illuminance [lx]
0.5	1.42 1.38	54° 54°	198 189
1.0	2.85 2.76	54° 54°	49 47
1.5	4.27 4.17	54° 54°	18 18
2.0	5.69 5.57	54° 54°	10 10
2.5	7.11 6.96	54° 54°	6 6
3.0	8.54 8.35	54° 54°	4 4

Distance [m] Cone diameter [m] Illuminance [lx]
 — C0 - C180 (Half beam angle: 108.0°)
 — C90 - C270 (Half beam angle: 108.0°)



START SURFACE IP66 1250LM 840 IK10 BLK

Code article 0049927

SYLVANIA

Données générales

Nom du produit	START SURFACE IP66 1250LM 840 IK10 BLK
Technologie	LED
Cap/Base	N/A
Housing	PC Polycarbonate
Montage	Ceiling surface mounting, Wall surface mounted
Built in presence detector	NONE
Environment	Indoor, Outdoor
General application	Hospitality
Operating temperature range (°C)	-20°C...+40°C
Performance ambient temperature Tq (°C)	25
Virtual assistant compatibility	N/A
ETIM Class	EC002892
Numéro virtuel FI	4579598
Warranty	5 ans

Données optiques

Fixture luminous flux (lm)	1250
Luminaire efficacy (lm/W)	105
Température de couleur (K)	4000
Couleur de lumière	Neutral White
IRC (Ra)	80
Colour Variation Initial (SDCM)	SDCM5
Distribution type	Diffuse, Symmetric
Photobiological Risk Group	RG0

Caractéristiques électriques

Consommation électrique totale (W)	12
Primary Supply/Product voltage - min (V)	220.0
Primary Supply/Product voltage - max (V)	240.0
Lamp power factor	0.83
THD (at 230 V, 50 Hz, full load, at 100% dimming level) ≤ xx.x %	15
Electrical protection	Class II
Type d'appareillage	LED driver constant current
No. Of switching cycles before premature failures	>50000
Dimmable	No
Dimming method	N/A
Courant d'appel (A)	20
Energy Efficiency Class (A->G) of contained light source	E
Nominal Frequency (Hz)	50/60Hz
Max. products per 10A C Breaker	38
Max. products per 13A C Breaker	47
Max. products per 16A C Breaker	57
Max. products per 20A C Breaker	66
Max. products per 10A B Breaker	30
Max. products per 13A B Breaker	38
Max. products per 16A B Breaker	45
Connectable conductor cross section - Max (mm ²)	2.5

Durée de vie

Lifespan L70 B50	90000
Lifespan L80 B50	78000

START SURFACE IP66 1250LM 840 IK10 BLK

Code article 0049927

SYLVANIA

Données physiques

Housing colour	RAL 9011 - Graphite black
IP rating	IP66
IK rating	IK10
Diffuser finish	Diffuse
Diffuser material	PC Polycarbonate
Nominal Product Height (mm)	90
Nominal Product Diameter (mm)	300
Poids (kg)	0.78

Emballage

Product EAN number	5410288499277
Longueur simple de l'emballage (cm)	30.2
Largeur simple de l'emballage (cm)	9.9
Packaging single depth (cm)	30.5
DUN14 (inner)	15410288499274
Units per outer package	6
Packaging outer length / height (cm)	61.5
Packaging outer width (cm)	31.0
Packaging outer depth (cm)	32.0

Sécurité

Glow Wire Test (°C)	650
Condition de fonctionnement optimal (° C)	-20-40