

# START SURFACE IP66 1150LM 830 IK10 WHT

Code article 0049928

**SYLVANIA**

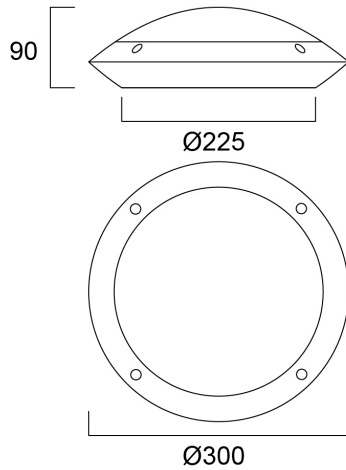
**START**<sup>TM</sup>



LED exterior surface mounted luminaire, 1150lm, 12W power consumption, 96lm/W efficacy, 3000K color temperature, CRI80, non-dimmable, IP66, IK10, 90,000 hours (L70B50) Lifespan, white housing, vandal resistant, supplied with anti-theft screws

## Atouts techniques

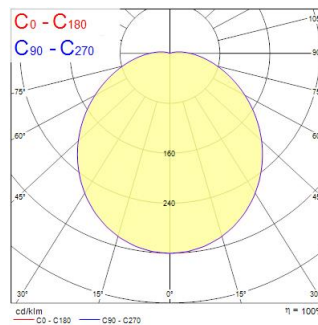
### Dimensions (mm)



### Photométrie

Distance [m]	Cone diameter [m]	E10° [lx]	E30° [lx]	E50° [lx]	E75° [lx]	Illuminance [lx]
0.5	1.47	1474	368	154	92	41
1.0	2.94	368	154	92	41	4
1.5	4.41	154	92	41	4	4
2.0	5.88	92	41	4	4	4
2.5	7.36	41	4	4	4	4
3.0	8.83	4	4	4	4	4

Distance [m] Cone diameter [m]  
 — C0 - C180 (Half beam angle: 111.6°)  
 — C90 - C270



# START SURFACE IP66 1150LM 830 IK10 WHT

Code article 0049928

**SYLVANIA**

## Données générales

Nom du produit	START SURFACE IP66 1150LM 830 IK10 WHT
Technologie	LED
Cap/Base	N/A
Housing	PC Polycarbonate
Montage	Ceiling surface mounting, Wall surface mounted
Built in presence detector	NONE
Environment	Indoor, Outdoor
General application	Hospitality
Operating temperature range (°C)	-20°C...+40°C
Performance ambient temperature Tq (°C)	25
Virtual assistant compatibility	N/A
ETIM Class	EC002892
Numéro virtuel FI	4579599
Warranty	5 ans

## Données optiques

Fixture luminous flux (lm)	1150
Luminaire efficacy (lm/W)	96
Température de couleur (K)	3000
Couleur de lumière	Warm White
IRC (Ra)	80
Colour Variation Initial (SDCM)	SDCM5
Distribution type	Diffuse, Symmetric
Photobiological Risk Group	RG0

## Caractéristiques électriques

Consommation électrique totale (W)	12
Primary Supply/Product voltage - min (V)	220.0
Primary Supply/Product voltage - max (V)	240.0
Lamp power factor	0.83
THD (at 230 V, 50 Hz, full load, at 100% dimming level) ≤ xx.x %	15
Electrical protection	Class II
Type d'appareillage	LED driver constant current
No. Of switching cycles before premature failures	>50000
Dimmable	No
Dimming method	N/A
Courant d'appel (A)	20
Energy Efficiency Class (A->G) of contained light source	E
Nominal Frequency (Hz)	50/60Hz
Max. products per 10A C Breaker	38
Max. products per 13A C Breaker	47
Max. products per 16A C Breaker	57
Max. products per 20A C Breaker	66
Max. products per 10A B Breaker	30
Max. products per 13A B Breaker	38
Max. products per 16A B Breaker	45
Connectable conductor cross section - Max (mm <sup>2</sup> )	2.5

## Durée de vie

Lifespan L70 B50	90000
Lifespan L80 B50	78000

# START SURFACE IP66 1150LM 830 IK10 WHT

Code article 0049928

**SYLVANIA**

## Données physiques

Housing colour	RAL 9003 - Signal white
IP rating	IP66
IK rating	IK10
Diffuser finish	Diffuse
Diffuser material	PC Polycarbonate
Nominal Product Height (mm)	90
Nominal Product Diameter (mm)	300
Poids (kg)	0.78

## Emballage

Product EAN number	5410288499284
Longueur simple de l'emballage (cm)	30.2
Largeur simple de l'emballage (cm)	9.9
Packaging single depth (cm)	30.5
DUN14 (inner)	15410288499281
Units per outer package	6
Packaging outer length / height (cm)	61.5
Packaging outer width (cm)	31.0
Packaging outer depth (cm)	32.0

## Sécurité

Glow Wire Test (°C)	650
Condition de fonctionnement optimal (° C)	-20-40