

Shandong YUANXING Electronics Co., Ltd.

Product Specification

Description: Current Transformer

Part No.: CTSA035-500A/100mA

Customer part number: None

Version number: A0

Date: 2025-11-24

Customer Approval			Vendor Approval		
Designer	Checker	Approver	Designer	Checker	Approver
			Xingxiaoyan	Yanaiqin	Wanghongjun
Approval Date:			Approval Date:		
			2025-12-03		

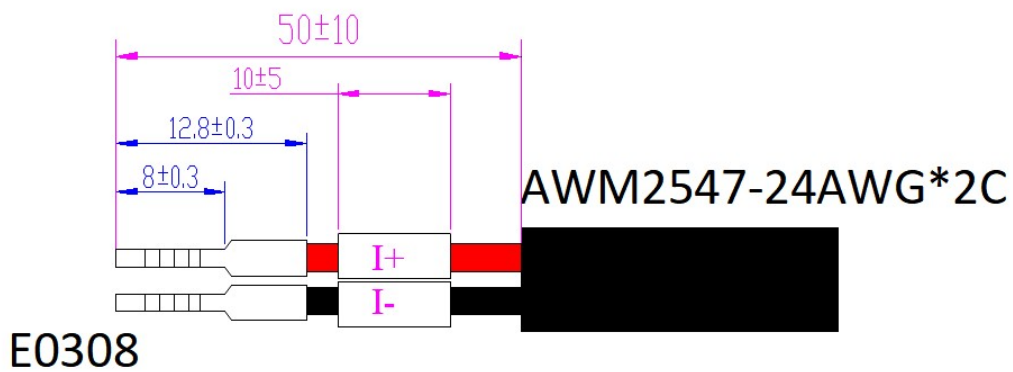
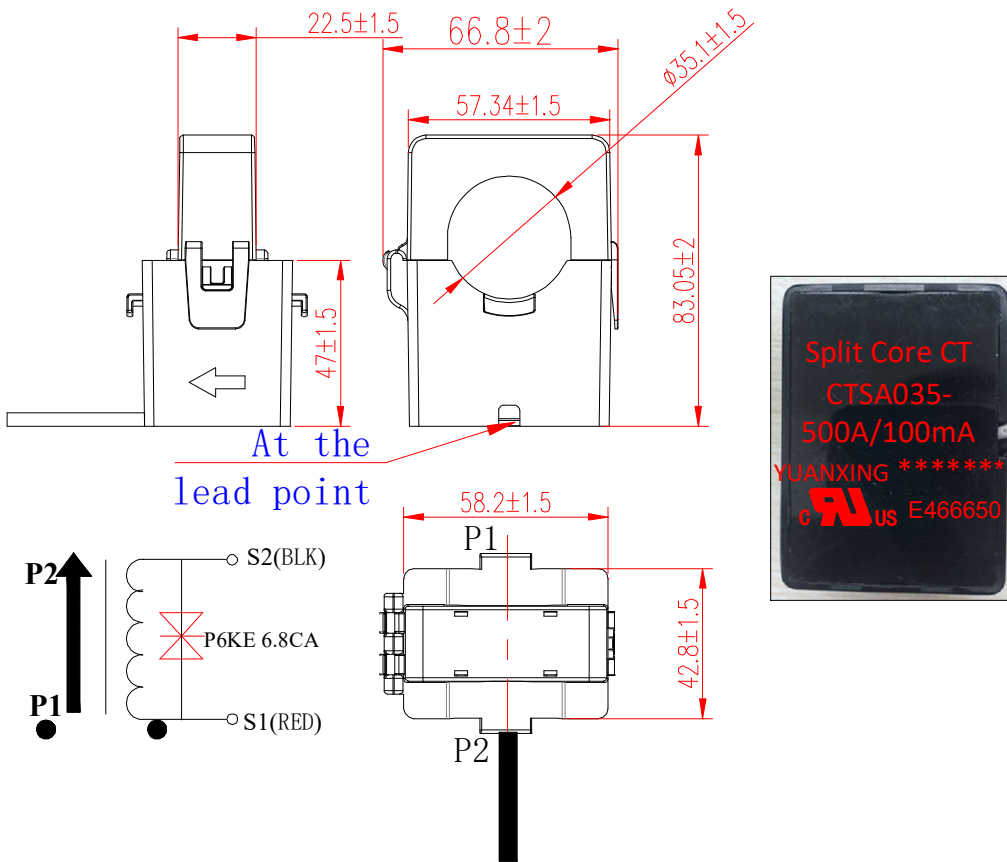
Version Change Instructions

Date	Item	Before Change	After Change
2025-11-24	First issue		
		Blank Below	

1. Technical Specifications:

Working Environment	Environment Temperature	-30°C~+70°C	Storage Temperature	-30°C~+70°C
	Relative Humidity	≤95%	Atmospheric Pressure	80-110kPa
Technical Parameters	Rated Primary Current	500A	Linearity Range	1% In-120%In
	Rated Secondary Current	100mA	Rated Burden	10 Ω
	Ratio Error at rated primary	≤±0.5%	Phase Error at rated primary	≤30'
	open circuit voltage	6-8V	Working Frequency	50Hz—400Hz
	Power Frequency Withstand Voltage	4000V/10s,1mA	Insulation Resistance	100MΩ@500Vdc, 1min
Product Structure	Primary Input	P1-P2	Same Polarity	P1-S1
	Secondary Output	AWM2547-24AWG*2C (Red, Black) jacketed wire, with 5.0 ±0.05m exposed shell length, and white tubular terminal crimped at the lead end. Red/black leads are marked with I+/I- numbered tubes		
	Case Material	UL 94-V0 flame retardant material	Environmental Protection	RoHS compliant
UL:E466650				





2. Outline Drawings, Schematic, Polarity Definition:



3. User Instructions:

Note: All work should be performed by a qualified electrician and use proper safety equipment.

1. Before connect CT to other equipment, please power off the circuit to prevent electric shock.
2. Open CT. One side has a small clasp and the other side is hinged. (See Photo 1)
3. Clip CT around the cable to be measured. Make sure the maximum current of cable does not exceed CT's rating value as indicated on the label of CT and the current direction is same as the arrow direction marked on CT.
4. Clip on the CT. You will hear it click. The cable should be in the middle of CT window. (See Photo 2)
5. Fix the CT on the cable with nylon cable ties. (See photo 3)
6. Connect the white output lead wire of CT to the positive terminal of measuring device. Connect the black output lead wire of CT to the negative terminal of measuring device. (See Photo 4)
7. Check and make sure there is no problem of the circuit, and put on the power, start measurement with CT.

Photo 1	Photo 2	Photo 3	Photo 4
			
Open CT	Clip CT around cable	Fix CT	CT connection