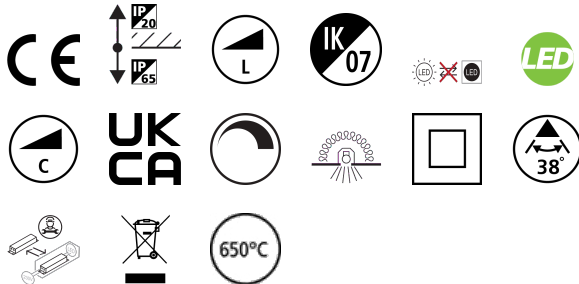


Obico 80 IP65 Fire 2CCT 930/940 DIM WHT

Code article 0005367

SYLVANIA

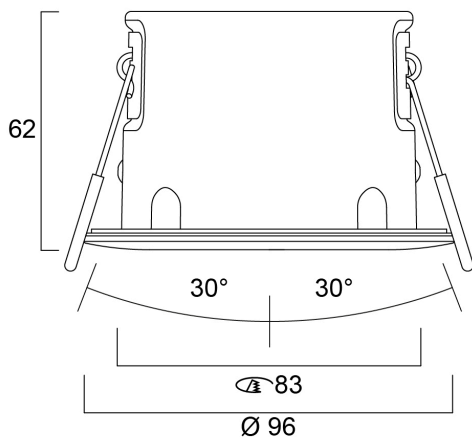
PROTM



Integrated LED fire rated recessed spotlight, 2-axis adjustable (horizontal rotation 360°, vertical tilt 30°) RAL9016 white bezel colour, two temperature light colors selectable: 3000K, 4000K. Lumen output 820lm (4000K), 8.2W, dimmable trailing/leading edge, 38° degree beam angle, steel body, low profile 57mm recessed depth, IP65 frontal degree, IK07, loop-in/loop-out terminals for fast wiring, 83mm cutout, clear lens. Additional chrome bezel ring included in the packaging. Designed and tested to meet Fire Rating Standards (30, 60, 90-minute fire rated ceilings) for safety and reassurance: BS 476-21:1987. Fire rated model tested for 30 & 60 minute I-Joist ceiling system (TRUfloorsystems® by Staircraft). Air-proof, to limit air leakage when used in residential applications within the building's thermal envelope. Directly coverable with insulation material according to EN60598-1

Atouts techniques

Dimensions (mm)

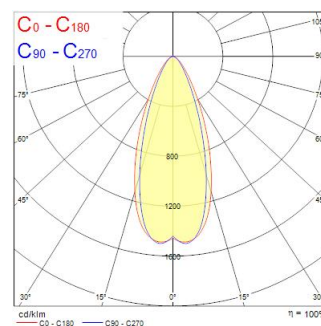


Photométrie

| Distance [m] | Cone diameter [m] | E170° | E180° | E190° | E220° |
|--------------|-------------------|-------|-------|-------|-------|
| 0.5 | 0.35 0.41 | 4271 | 1524 | 1524 | 1750 |
| 1.0 | 0.71 0.82 | 1030 | 458 | 458 | 430 |
| 1.5 | 1.06 1.22 | 456 | 230 | 230 | 190 |
| 2.0 | 1.42 1.63 | 270 | 144 | 144 | 109 |
| 2.5 | 1.77 2.04 | 178 | 73 | 73 | 70 |
| 3.0 | 2.12 2.45 | 121 | 51 | 51 | 48 |

Distance [m] Cone diameter [m] Illuminance [lx]

— C0 - C180 (Half beam angle: 44.4°) — C90 - C270 (Half beam angle: 38.0°)



Obico 80 IP65 Fire 2CCT 930/940 DIM WHT

Code article 0005367

SYLVANIA

Données générales

| | |
|-----------------------------------------|-----------------------------------------|
| Nom du produit | Obico 80 IP65 Fire 2CCT 930/940 DIM WHT |
| Technologie | LED |
| Cap/Base | N/A |
| Housing | Aluminium |
| Montage | Ceiling recessed mounting |
| Built in presence detector | NONE |
| General application | Residential & Consumer, Retail |
| Operating temperature range (°C) | -20°C...+40°C |
| Performance ambient temperature Tq (°C) | 25 |
| Virtual assistant compatibility | N/A |
| ETIM Class | EC001744 |
| Warranty | 5 ans |

Données optiques

| | |
|---------------------------------|---------------|
| Fixture luminous flux (lm) | 820 |
| Luminaire efficacy (lm/W) | 100 |
| Couleur de lumière | Neutral White |
| IRC (Ra) | 90 |
| Colour Variation Initial (SDCM) | SDCM4 |
| Beam Angle (°) | 38 |
| Distribution type | Symmetric |
| Glare control | < 25 |
| Photobiological Risk Group | RG1 |

Caractéristiques électriques

| | |
|------------------------------------------------------------------|--------------------------------|
| Emergency type | |
| Consommation électrique totale (W) | 8.2 |
| Actuel (A) | 0.036 |
| Primary Supply/Product voltage - min (V) | 220.0 |
| Primary Supply/Product voltage - max (V) | 240.0 |
| Lamp power factor | 0.9 |
| THD (at 230 V, 50 Hz, full load, at 100% dimming level) ≤ xx.x % | 25 |
| Electrical protection | Class II |
| Type d'appareillage | LED driver constant current |
| Dimmable | Yes |
| Dimming method | Mains: leading / trailing edge |
| Drive current (mA) | 185 |
| Courant d'appel (A) | 2 |
| Inrush Duration (µs) | 20 |
| Energy Efficiency Class (A->G) of contained light source | D |
| Nominal Frequency (Hz) | 50/60Hz |
| Max. products per 10A C Breaker | 90 |
| Max. products per 13A C Breaker | 118 |
| Max. products per 16A C Breaker | 145 |
| Max. products per 20A C Breaker | 181 |
| Max. products per 10A B Breaker | 90 |
| Max. products per 13A B Breaker | 118 |
| Max. products per 16A B Breaker | 145 |
| Max. products per 20A B Breaker | 181 |
| Connectable conductor cross section - Min (mm ²) | 0.75 |
| Connectable conductor cross section - Max (mm ²) | 1.5 |

Obico 80 IP65 Fire 2CCT 930/940 DIM WHT

Code article 0005367

SYLVANIA

Durée de vie

| | |
|------------------|--------|
| Lifespan L70 B50 | 100000 |
| Lifespan L80 B20 | 88000 |
| Lifespan L80 B10 | 86000 |
| Lifespan L90 B10 | 42000 |

Données physiques

| | |
|-------------------------------|----------------------------------|
| Housing colour | RAL 9016 - Traffic white / Bezel |
| IP rating | IP65/20 |
| IK rating | IK07 |
| Diffuser finish | Other |
| Diffuser material | None |
| Finition réflecteur | Not Applicable |
| Nominal Product Height (mm) | 62 |
| Nominal Product Diameter (mm) | 96 |
| Built-in diameter (mm) | 80 |
| Poids (kg) | 0.354 |

Emballage

| | |
|--------------------------------------|----------------|
| Product EAN number | 5410288053677 |
| Longueur simple de l'emballage (cm) | 13.1 |
| Largeur simple de l'emballage (cm) | 8.0 |
| Packaging single depth (cm) | 14.5 |
| DUN14 (inner) | 15410288053674 |
| Units per inner package | 4 |
| Packaging inner length / height (cm) | 29.9 |
| Packaging inner width (cm) | 17.2 |
| Packaging inner depth (cm) | 14.6 |
| DUN14 (outer) | 25410288053671 |
| Units per outer package | 24 |
| Packaging outer length / height (cm) | 36.4 |
| Packaging outer width (cm) | 32.5 |
| Packaging outer depth (cm) | 46.7 |

Sécurité

| | |
|-------------------------------------------|--------|
| Glow Wire Test (°C) | 650 |
| Condition de fonctionnement optimal (° C) | -20-40 |